



# REFRIGERATOR USER INSTRUCTIONS

THANK YOU for purchasing this high-quality product. If you should experience a problem not covered in TROUBLESHOOTING or PROBLEM SOLVER, please visit our website at [www.maytag.com](http://www.maytag.com) for additional information. If you still need assistance, call us at 1-800-688-9900. In Canada, visit our website at [www.maytag.ca](http://www.maytag.ca) or call us at 1-800-807-6777.

You will need your model and serial number, located on the inside wall of the refrigerator compartment.

## Table of Contents / Índice / Table des matières

<b>REFRIGERATOR SAFETY</b> .....	<b>2</b>	<b>SEGURIDAD DEL REFRIGERADOR</b> .....	<b>24</b>	<b>SÉCURITÉ DU RÉFRIGÉRATEUR</b> .....	<b>47</b>
Proper Disposal of Your Old Refrigerator .....	3	Cómo deshacerse adecuadamente de su refrigerador viejo .....	25	Mise au rebut adéquate de votre vieux réfrigérateur.....	48
<b>INSTALLATION INSTRUCTIONS</b> .....	<b>3</b>	<b>INSTRUCCIONES DE INSTALACIÓN</b> .....	<b>25</b>	<b>INSTRUCTIONS D'INSTALLATION</b> .....	<b>48</b>
Unpack the Refrigerator.....	3	Desempaque el refrigerador .....	25	Déballage du réfrigérateur.....	48
Location Requirements.....	4	Requisitos de ubicación.....	26	Exigences d'emplacement.....	49
Remove and Replace Refrigerator Doors and Drawer Front .....	4	Cómo sacar y volver a colocar las puertas y el frente del cajón del refrigerador .....	26	Retrait et réinstallation des portes du réfrigérateur et de l'avant du tiroir .....	49
Electrical Requirements .....	7	Requisitos eléctricos.....	29	Spécifications électriques .....	52
Water Supply Requirements.....	7	Requisitos del suministro de agua.....	29	Spécifications de l'alimentation en eau.....	52
Connect the Water Supply .....	7	Conexión del suministro de agua .....	29	Raccordement à l'alimentation en eau.....	52
Handle Installation .....	9	Instalación de las manijas .....	31	Installation de la poignée.....	54
Door Closing and Door Alignment.....	9	Cierre y alineamiento de las puertas.....	31	Fermeture et alignement de la porte...	54
<b>FILTERS AND ACCESSORIES</b> .....	<b>10</b>	<b>FILTROS Y ACCESORIOS</b> .....	<b>32</b>	<b>FILTRES ET ACCESSOIRES</b> .....	<b>55</b>
Install Air Filter.....	10	Instalación del filtro de aire .....	32	Installation du filtre à air.....	55
Install Produce Preserver.....	10	Instalación del preservador de alimentos frescos .....	33	Installation du conservateur pour produits frais .....	56
Accessories .....	11	Accesorios.....	34	Accessoires .....	57
<b>REFRIGERATOR USE</b> .....	<b>12</b>	<b>USO DE SU REFRIGERADOR</b> .....	<b>34</b>	<b>UTILISATION DU RÉFRIGÉRATEUR</b> ...	<b>57</b>
Opening and Closing Doors .....	12	Cómo abrir y cerrar las puertas .....	34	Ouverture et fermeture des portes.....	57
Using the Controls .....	12	Uso de los controles .....	34	Utilisation des commandes.....	57
<b>REFRIGERATOR FEATURES</b> .....	<b>13</b>	<b>CARACTERÍSTICAS DEL REFRIGERADOR</b> .....	<b>36</b>	<b>CARACTÉRISTIQUES DU RÉFRIGÉRATEUR</b> .....	<b>59</b>
Refrigerator Shelves.....	13	Estantes del refrigerador.....	36	Tablettes du réfrigérateur .....	59
Pantry Drawer .....	14	Cajón-despensa .....	37	Garde-manger .....	59
Crisper.....	14	Cajón para verduras.....	37	Bac à légumes.....	60
<b>DOOR FEATURES</b> .....	<b>15</b>	<b>CARACTERÍSTICAS DE LA PUERTA</b> ...	<b>38</b>	<b>CARACTÉRISTIQUES DE LA PORTE</b> ..	<b>60</b>
Condiment Bins .....	15	Recipientes para condimento .....	38	Balconnets à condiments.....	60
Fresh Bin .....	15	Recipiente para productos frescos.....	38	Balconnet fraîcheur .....	61
Half-Height Bin.....	15	Recipiente de altura media .....	38	Balconnet mi-hauteur .....	61
<b>REFRIGERATOR CARE</b> .....	<b>16</b>	<b>CUIDADO DE SU REFRIGERADOR</b> .....	<b>39</b>	<b>ENTRETIEN DU RÉFRIGÉRATEUR</b> ....	<b>61</b>
Cleaning .....	16	Limpieza .....	39	Nettoyage .....	61
Changing the Light Bulbs .....	16	Cómo cambiar los focos.....	39	Remplacement des ampoules d'éclairage .....	62
<b>TROUBLESHOOTING</b> .....	<b>17</b>	<b>SOLUCIÓN DE PROBLEMAS</b> .....	<b>40</b>	<b>DÉPANNAGE</b> .....	<b>63</b>
Operation .....	17	Funcionamiento.....	40	Fonctionnement.....	63
Noise .....	18	Ruido .....	41	Bruit .....	64
Temperature and Moisture .....	19	Temperatura y humedad.....	42	Température et humidité .....	65
Ice and Water .....	20	Hielo y agua.....	43	Glaçons et eau.....	66
Doors.....	21	Puertas .....	44	Portes.....	67
<b>WARRANTY</b> .....	<b>22</b>	<b>GARANTÍA</b> .....	<b>45</b>	<b>GARANTIE</b> .....	<b>68</b>

# REFRIGERATOR SAFETY

## Your safety and the safety of others are very important.

We have provided many important safety messages in this manual and on your appliance. Always read and obey all safety messages.



This is the safety alert symbol.

This symbol alerts you to potential hazards that can kill or hurt you and others.

All safety messages will follow the safety alert symbol and either the word "DANGER" or "WARNING."

These words mean:

**⚠ DANGER**

You can be killed or seriously injured if you don't immediately follow instructions.

**⚠ WARNING**

You can be killed or seriously injured if you don't follow instructions.

All safety messages will tell you what the potential hazard is, tell you how to reduce the chance of injury, and tell you what can happen if the instructions are not followed.

## IMPORTANT SAFETY INSTRUCTIONS

**WARNING:** To reduce the risk of fire, electric shock, or injury when using your refrigerator, follow these basic precautions:

- Plug into a grounded 3 prong outlet.
- Do not remove ground prong.
- Do not use an adapter.
- Do not use an extension cord.
- Disconnect power before servicing.
- Replace all parts and panels before operating.
- Remove doors from your old refrigerator.
- Use nonflammable cleaner.
- Keep flammable materials and vapors, such as gasoline, away from refrigerator.
- Use two or more people to move and install refrigerator.
- Disconnect power before installing ice maker (on ice maker kit ready models only).
- Use a sturdy glass when dispensing ice (on some models).
- Do not hit the refrigerator glass doors (on some models).

**SAVE THESE INSTRUCTIONS**

State of California Proposition 65 Warnings:

WARNING: This product contains one or more chemicals known to the State of California to cause cancer.

WARNING: This product contains one or more chemicals known to the State of California to cause birth defects or other reproductive harm.

# Proper Disposal of Your Old Refrigerator

## **⚠️ WARNING**

### **Suffocation Hazard**

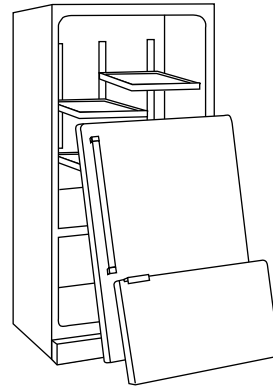
**Remove doors from your old refrigerator.**

**Failure to do so can result in death or brain damage.**

**IMPORTANT:** Child entrapment and suffocation are not problems of the past. Junked or abandoned refrigerators are still dangerous – even if they will sit for “just a few days.” If you are getting rid of your old refrigerator, please follow these instructions to help prevent accidents.

### **Before You Throw Away Your Old Refrigerator or Freezer:**

- Take off the doors.
- Leave the shelves in place so that children may not easily climb inside.



### **Important information to know about disposal of refrigerants:**

Dispose of refrigerator in accordance with Federal and Local regulations. Refrigerants must be evacuated by a licensed, EPA certified refrigerant technician in accordance with established procedures.

# INSTALLATION INSTRUCTIONS

## Unpack the Refrigerator

## **⚠️ WARNING**

### **Excessive Weight Hazard**

**Use two or more people to move and install refrigerator.**

**Failure to do so can result in back or other injury.**

### **When Moving Your Refrigerator:**

Your refrigerator is heavy. When moving the refrigerator for cleaning or service, be sure to cover the floor with cardboard or hardboard to avoid floor damage. Always pull the refrigerator straight out when moving it. Do not wiggle or “walk” the refrigerator when trying to move it, as floor damage could occur.

### **Remove the Packaging**

- Remove tape and glue residue from surfaces before turning on the refrigerator. Rub a small amount of liquid dish soap over the adhesive with your fingers. Wipe with warm water and dry.
- Do not use sharp instruments, rubbing alcohol, flammable fluids, or abrasive cleaners to remove tape or glue. These products can damage the surface of your refrigerator. For more information, see “Refrigerator Safety.”
- Dispose of/recycle all packaging materials.

### **Clean Before Using**

After you remove all of the packaging materials, clean the inside of your refrigerator before using it. See the cleaning instructions in “Refrigerator Care.”

### **Important information to know about glass shelves and covers:**

Do not clean glass shelves or covers with warm water when they are cold. Shelves and covers may break if exposed to sudden temperature changes or impact, such as bumping. Tempered glass is designed to shatter into many small, pebble-size pieces. This is normal. Glass shelves and covers are heavy. Use both hands when removing them to avoid dropping.

## Location Requirements

### **WARNING**



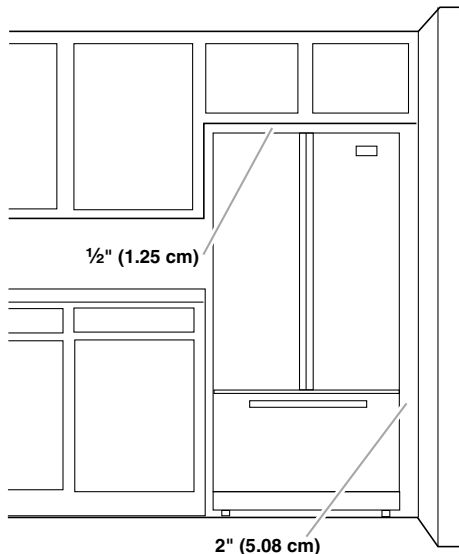
#### **Explosion Hazard**

**Keep flammable materials and vapors, such as gasoline, away from refrigerator.**

**Failure to do so can result in death, explosion, or fire.**

To ensure proper ventilation for your refrigerator, allow for a ½" (1.25 cm) of space on each side and at the top. Allow for a 1" (2.54 cm) space behind the refrigerator. If your refrigerator has an ice maker, allow extra space at the back for the water line connections. When installing your refrigerator next to a fixed wall, leave a 2" (5.08 cm) minimum space between the refrigerator and wall to allow the door to swing open.

**NOTE:** This refrigerator is intended for use in a location where the temperature ranges from a minimum of 55°F (13°C) to a maximum of 110°F (43°C). The preferred room temperature range for optimum performance, which reduces electricity usage and provides superior cooling, is between 60°F (15°C) and 90°F (32°C). It is recommended that you do not install the refrigerator near a heat source, such as an oven or radiator.



## Remove and Replace Refrigerator Doors and Drawer Front

Depending on the width of your door opening, it may be necessary to remove the refrigerator doors to move the refrigerator into your home.

### **IMPORTANT:**

- If the refrigerator was previously installed and you are moving it out of the home, before you begin, turn the refrigerator control OFF, and unplug the refrigerator or disconnect power. Remove food and any adjustable door or utility bins from doors.
- Keep the refrigerator doors closed until you are ready to lift them free from the cabinet. Provide additional support for the refrigerator door while the hinges are being removed. Do not depend on the door gasket magnets to hold the door in place while you are working.
- All graphics referenced in the following instructions are included later in this section after "Final Steps."

**TOOLS NEEDED:** 5/16", 3/8", and 1/4" hex head socket wrenches, #2 Phillips screwdriver, and a flat-blade screwdriver.

### Remove Doors and Hinges

### **WARNING**



#### **Electrical Shock Hazard**

**Disconnect power before removing doors.**

**Failure to do so can result in death or electrical shock.**

1. Unplug refrigerator or disconnect power.
2. Remove the base grille. Grasp the grille firmly and pull it toward you.
3. Starting with the right-hand side door, remove the parts for the top hinge as shown in Top Hinge graphic. Lift the refrigerator door from the bottom hinge pin.
4. Remove the hinge pin cover from the bottom hinge pin and keep it for later use. See Bottom Hinge graphic.
5. Remove top hinge cover from left-hand side refrigerator door.
6. Remove the parts for the top hinge as shown in Top Hinge graphic. Lift the left-hand side door from the bottom hinge pin.

**NOTE:** On some models, remove the hinge pin cover from the bottom hinge pin and keep it for later use. See Bottom Hinge graphic.

---

## Replace Doors and Hinges

---

1. Assemble the parts for the top hinges as shown in Top Hinge graphic. Do not tighten the screws completely.
2. Replace the parts for the bottom hinge as shown in Bottom Hinge graphic. Tighten screws. Replace the refrigerator door.  
**NOTE:** Provide additional support for the refrigerator door while the hinges are being moved. Do not depend on the door gasket magnets to hold the door in place while you are working.
3. Align the door so that the bottom of the refrigerator doors align evenly with the top of the freezer drawer. Tighten all screws.
4. Replace the top hinge covers.

---

## Remove and Replace Freezer Drawer Front

---

**IMPORTANT:** Two people may be required to remove and replace the freezer drawer. Graphics are included later in this section.

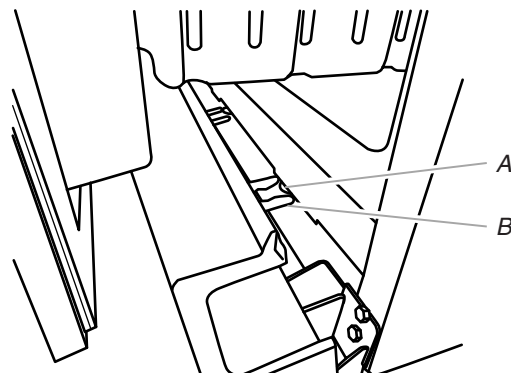
### To remove drawer front:

1. Open the freezer drawer to full extension.
2. Loosen the four screws attaching the drawer glides to the drawer front. See Drawer Front Removal graphic.  
**NOTE:** Loosen screws three to four turns. Keep the screws in the drawer front.
3. Lift drawer front upward and off the screws. See Drawer Front Removal graphic.
4. The refrigerator leveling/roller assembly protrudes from each side of the cabinet base. Remove the three screws attaching each assembly, and remove the assemblies. See Refrigerator Leveling/Roller Assembly graphic.

### To replace drawer front:

1. Align the leveling/roller assembly with the holes on each side of the refrigerator cabinet. Using the screws removed, reinstall the assemblies to the cabinet base. Tighten the screws completely.
2. Slide the drawer glides out of the freezer compartment. Insert the screws in the top of the drawer front into the slots in the drawer brackets. See Drawer Front Replacement graphic.
3. Pull the drawer brackets toward you to position the two screws in the bottom of the drawer front into the brackets and completely tighten the four screws. See Drawer Front Replacement graphic.

4. Replace the base grille.
  - Pull open the freezer drawer.
  - Align the three clips on the back of the base grille with the three tabs at the base of the refrigerator.
  - Push the base grille in toward the refrigerator until it is firmly in place.



A. Tab  
B. Clip

---

## Final Steps

---

### **⚠ WARNING**



#### Electrical Shock Hazard

**Plug into a grounded 3 prong outlet.**

**Do not remove ground prong.**

**Do not use an adapter.**

**Do not use an extension cord.**

**Failure to follow these instructions can result in death, fire, or electrical shock.**

1. Plug into a grounded 3 prong outlet.
2. Return all removable parts to doors and drawer and food to refrigerator and freezer.



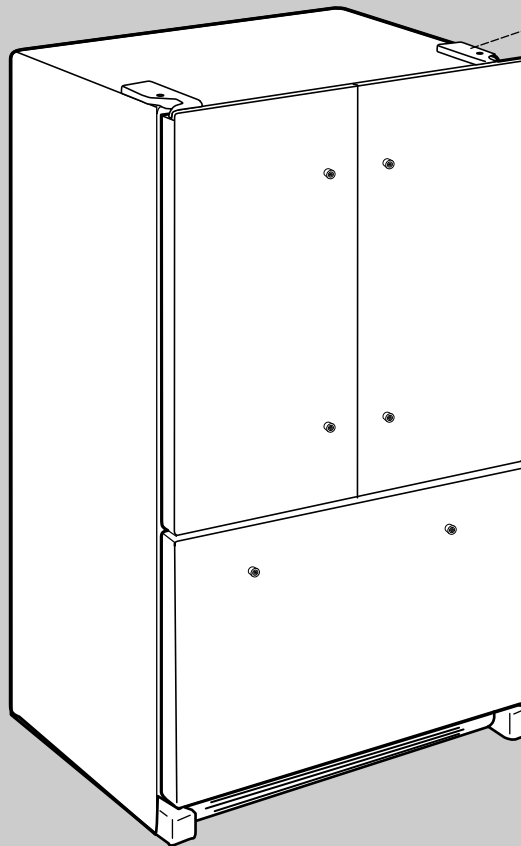
# ⚠ WARNING

Electrical Shock Hazard

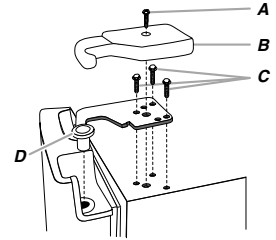
Disconnect power before removing doors.

Failure to do so can result in death or electrical shock.

## Door Removal and Replacement

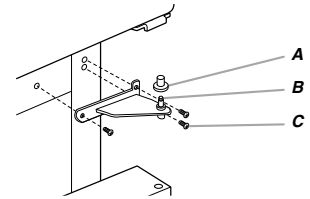


### Top Hinges



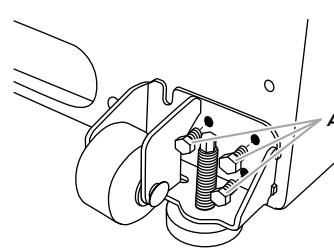
- A. Hinge Cover Screw
- B. Top Hinge Cover
- C.  $\frac{5}{16}$ " Hex-Head Hinge Screws
- D. Top Hinge

### Bottom Hinges



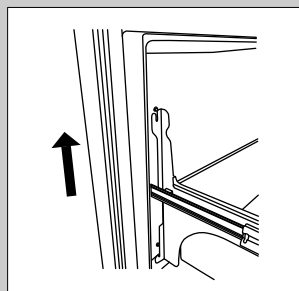
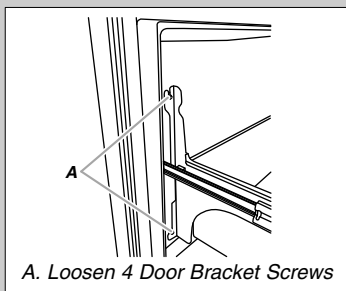
- A. Hinge Pin Cover
- B. Bottom Hinge
- C. Hinge Screws

### Leveling/Roller Assembly

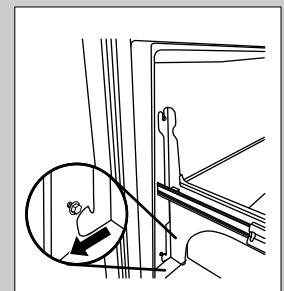
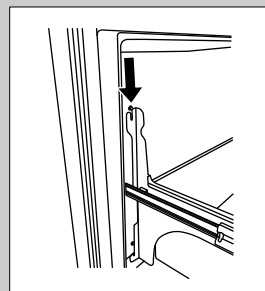


- A. Assembly Screws

## Drawer Front Removal



## Drawer Front Replacement



## Electrical Requirements

### **⚠ WARNING**



#### Electrical Shock Hazard

**Plug into a grounded 3 prong outlet.**

**Do not remove ground prong.**

**Do not use an adapter.**

**Do not use an extension cord.**

**Failure to follow these instructions can result in death, fire, or electrical shock.**

Before you move your refrigerator into its final location, it is important to make sure you have the proper electrical connection.

#### Recommended Grounding Method

A 115 volt, 60 Hz, AC only 15- or 20-amp fused, grounded electrical supply is required. It is recommended that a separate circuit serving only your refrigerator be provided. Use an outlet that cannot be turned off by a switch. Do not use an extension cord.

**NOTE:** Before performing any type of installation, cleaning, or removing a light bulb, turn Cooling OFF, and then disconnect the refrigerator from the electrical source. When you have finished, reconnect the refrigerator to the electrical source and turn Cooling ON. See "Using the Control(s)."

## Water Supply Requirements

A cold water supply with water pressure between 30 and 120 psi (207 and 827 kPa) is required to operate the water dispenser and ice maker. If you have questions about your water pressure, call a licensed, qualified plumber.

#### Reverse Osmosis Water Supply

**IMPORTANT:** The pressure of the water supply coming out of a reverse osmosis system going to the water inlet valve of the refrigerator needs to be between 30 and 120 psi (207 and 827 kPa).

If a reverse osmosis water filtration system is connected to your cold water supply, the water pressure to the reverse osmosis system needs to be a minimum of 40 to 60 psi (276 to 414 kPa).

If the water pressure to the reverse osmosis system is less than 40 to 60 psi (276 to 414 kPa):

- Check to see whether the sediment filter in the reverse osmosis system is blocked. Replace the filter if necessary.
- Allow the storage tank on the reverse osmosis system to refill after heavy usage. The tank capacity could be too low to keep up with the requirements of the refrigerator.
- If your refrigerator has a water filter, it may further reduce the water pressure when used in conjunction with a reverse osmosis system. Remove the water filter. See "Water Filtration System."

If you have questions about your water pressure, call a licensed, qualified plumber.

## Connect the Water Supply

Read all directions before you begin.

#### IMPORTANT:

- All installations must meet local plumbing code requirements.
- Use copper tubing or Whirlpool supply line, Part Number 8212547RP, and check for leaks.
- Install copper tubing only in areas where the temperatures will remain above freezing.

#### TOOLS NEEDED:

Gather the required tools and parts before starting installation. Read and follow the instructions provided with any tools listed here.

- Flat-blade screwdriver
- ¼" Nut driver
- 7/16" and ½" Open-end or two adjustable wrenches
- ¼" Drill bit
- Cordless drill

**NOTE:** Your refrigerator dealer has a kit available with a ¼" (6.35 mm) saddle-type shutoff valve, a union, and copper tubing. Before purchasing, make sure a saddle-type valve complies with your local plumbing codes. Do not use a piercing-type or 3/16" (4.76 mm) saddle valve which reduces water flow and clogs more easily.

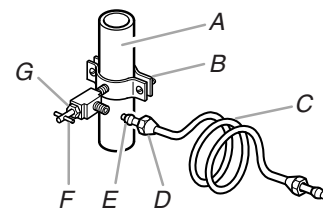
## Connect to Water Line

#### Style 1

1. Unplug refrigerator or disconnect power.
2. Turn OFF main water supply. Turn ON nearest faucet long enough to clear line of water.
3. Locate a ½" to 1¼" (1.25 cm to 3.18 cm) vertical cold water pipe near the refrigerator.

#### IMPORTANT:

- Make sure it is a cold water pipe.
  - Horizontal pipe will work, but drill on the top side of the pipe, not the bottom. This will help keep water away from the drill and normal sediment from collecting in the valve.
4. Determine the length of copper tubing you need. Measure from the connection on the lower left rear of refrigerator to the water pipe. Add 7 ft (2.1 m) to allow for cleaning. Use ¼" (6.35 mm) O.D. (outside diameter) copper tubing. Be sure both ends of copper tubing are cut square.
  5. Using a cordless drill, drill a ¼" hole in the cold water pipe you have selected.



- A. Cold water pipe
- B. Pipe clamp
- C. Copper tubing
- D. Compression nut
- E. Compression sleeve
- F. Shutoff valve
- G. Packing nut

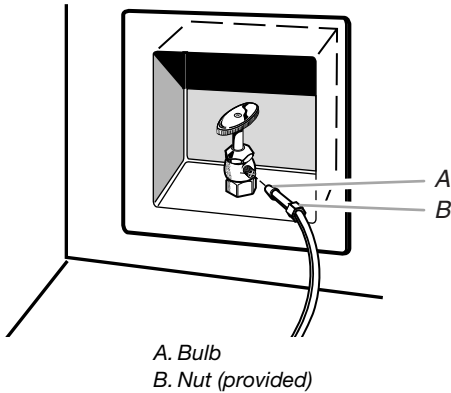
6. Fasten the shutoff valve to the cold water pipe with the pipe clamp. Be sure the outlet end is solidly in the ¼" (6.35 mm) drilled hole in the water pipe and that the washer is under the pipe clamp. Tighten the packing nut. Tighten the pipe clamp screws slowly and evenly so washer makes a watertight seal. Do not overtighten or you may crush the copper tubing.



- Slip the compression sleeve and compression nut onto the copper tubing as shown. Insert the end of the tubing into the outlet end squarely as far as it will go. Screw compression nut onto outlet end with adjustable wrench. Do not overtighten.
- Place the free end of the tubing in a container or sink, and turn ON the main water supply. Flush the tubing until water is clear. Turn OFF the shutoff valve on the water pipe. Coil the copper tubing.

### Style 2

- Unplug refrigerator or disconnect power.
- Remove and discard the black nylon plug from the gray water tube on the rear of the refrigerator.
- Thread the provided nut onto the water valve as shown.  
**NOTE:** Tighten the nut by hand. Then tighten it with a wrench two more turns. Do not overtighten.

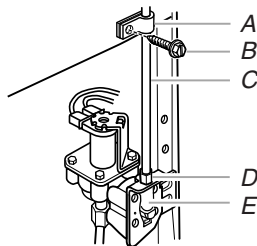


- Turn shutoff valve ON.
- Check for leaks. Tighten any nuts or connections (including connections at the valve) that leak.

### Connect to Refrigerator

#### Style 1

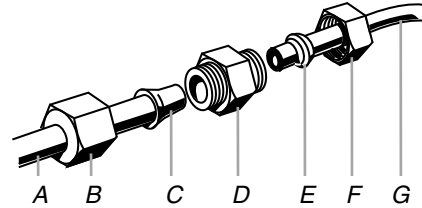
- Unplug refrigerator or disconnect power.
- Attach the copper tube to the valve inlet using a compression nut and sleeve as shown. Tighten the compression nut. Do not overtighten.
- Use the tube clamp on the back of the refrigerator to secure the tubing to the refrigerator as shown. This will help avoid damage to the tubing when the refrigerator is pushed back against the wall.
- Turn shutoff valve ON.
- Check for leaks. Tighten any connections (including connections at the valve) or nuts that leak.



- On models with ice makers, the ice maker is equipped with a built-in water strainer. If your water conditions require a second water strainer, install it in the 1/4" (6.35 mm) water line at either tube connection. Obtain a water strainer from your nearest appliance dealer.

#### Style 2

- Unplug refrigerator or disconnect power.
- Remove and discard the black nylon plug from the gray water tube on the rear of the refrigerator.
- If the gray water tube supplied with the refrigerator is not long enough, a 1/4" x 1/4" (6.35 mm x 6.35 mm) coupling is needed in order to connect the water tubing to an existing household water line. Thread the provided nut onto the coupling on the end of the copper tubing.  
**NOTE:** Tighten the nut by hand. Then tighten it with a wrench two more turns. Do not overtighten.



- Turn shutoff valve ON.
- Check for leaks. Tighten any nuts or connections (including connections at the valve) that leak.

### Complete the Installation

## ⚠ WARNING



### Electrical Shock Hazard

Plug into a grounded 3 prong outlet.

Do not remove ground prong.

Do not use an adapter.

Do not use an extension cord.

Failure to follow these instructions can result in death, fire, or electrical shock.

- Plug into a grounded 3 prong outlet.

#### NOTES:

- Allow 24 hours to produce the first batch of ice. Discard the first three batches of ice produced. Allow 3 days to completely fill ice container.
- For models with a water dispenser, flush the water system. See "Water Dispenser."

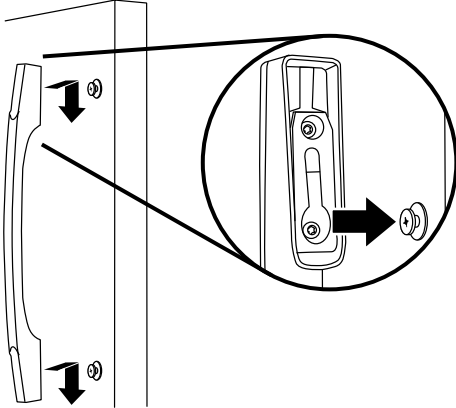


## Handle Installation

**Parts Included:** Handles (3)

### Install Door Handles

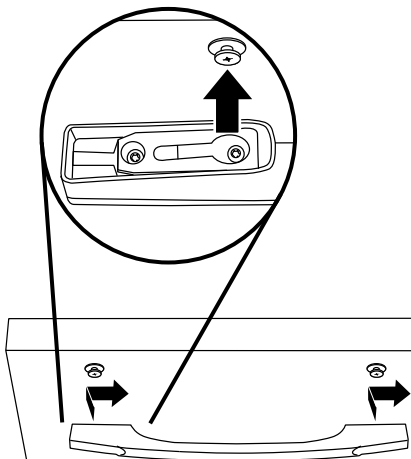
1. Remove the handles from the packaging inside the refrigerator.  
**NOTE:** To avoid damaging the handles, place them on a towel or other soft surface.
2. Place the keyhole slots in the handle over the shoulder screws (preinstalled on the door). Apply firm pressure on the handle to slide it down onto the shoulder screws.  
**NOTE:** Do not push the handle toward the door; this can damage the door. Apply only downward pressure.



3. Repeat the previous steps to install the adjacent door handle.

### Install Drawer Handle

1. Place the keyhole slots in the handle over the shoulder screws (preinstalled on the drawer). Slide the handle firmly to the right to fully engage the shoulder screws in the keyhole slots.  
**NOTE:** Do not push the handle toward the drawer; this can damage the drawer.



2. Save all instructions.

## Remove the Handles

### Refrigerator Door

- Lift the handle directly upward, and pull it off of the door.
- If necessary, use a Phillips screwdriver to remove the shoulder screws from the door.

### Freezer Drawer

- Slide the handle to the left to disengage the keyhole slot from the shoulder screws, and pull it off of the drawer.
- If necessary, use a Phillips screwdriver to remove the shoulder screws from the drawer.

## Door Closing and Door Alignment

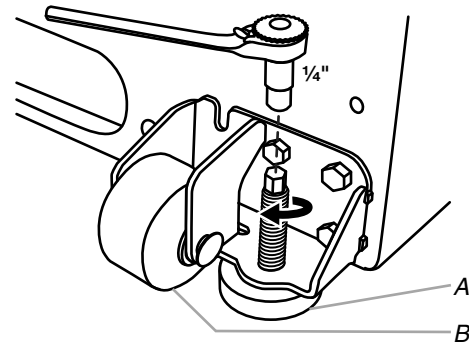
**IMPORTANT:** To comply with American Disabilities Act (ADA) guidelines, fully retract the rollers into the cabinet to lower the refrigerator.

### Door Closing

The base grille covers the leveling screws and roller assemblies located at the bottom of the refrigerator cabinet below the freezer drawer. Before making adjustments, remove the base grille and move the refrigerator to its final location.

1. Remove the base grille. Grasp the grille firmly and pull it toward you.
2. Move the refrigerator to its final location.  
**NOTE:** To allow the refrigerator to roll easier, raise the leveling legs off the floor by turning the leveling screws counterclockwise. The front rollers will be touching the floor.
3. So the doors will close easier, use a 1/4" hex driver to turn both leveling screws clockwise. This will raise the front of the refrigerator tilting it slightly downward to the rear. Turn both leveling screws the same amount.

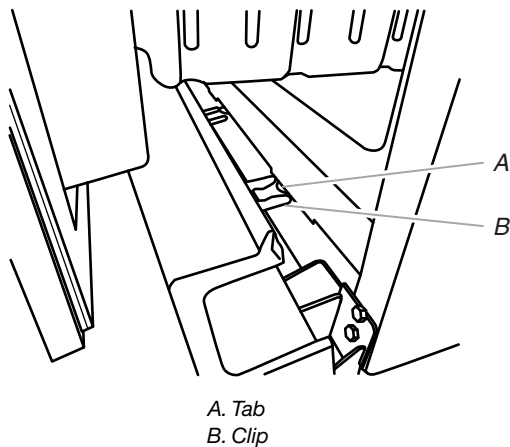
**NOTE:** Having someone push against the top of the refrigerator takes some weight off the leveling screws. This makes it easier to turn the screws.



A. Leveling screw  
B. Front roller

4. Open both doors again to make sure they close as easily as you like and that they stay closed. If not, tilt the refrigerator slightly more to the rear by turning both leveling screws to the right. It may take several more turns.  
**NOTE:** To keep the refrigerator level, you should turn both leveling screws the same amount.
5. Replace the base grille.
  - Pull open the freezer drawer.
  - Align the three clips on the back of the base grille with the three tabs at the base of the refrigerator.

- Push the base grille in toward the refrigerator until it is firmly in place.



### Door Alignment

If the space between the refrigerator doors and freezer drawer looks uneven, you can adjust it using the following instructions:

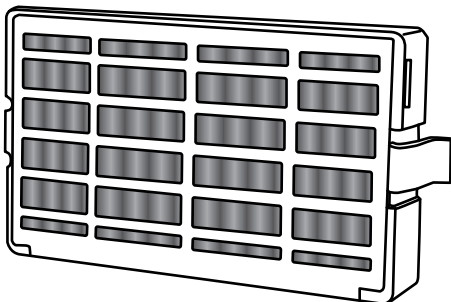
1. Remove the top hinge cover.
2. Loosen the top hinge screws using a  $\frac{5}{16}$ " socket or wrench.
3. Have someone hold the door in place or put a spacer between the doors and drawer.
4. Tighten the top hinge screws once the door is in the desired location.
5. Replace the top hinge cover.

## FILTERS AND ACCESSORIES

### Install Air Filter (on some models)

The air filter reduces the buildup of odors. This helps to maintain a cleaner environment inside the refrigerator.

On some models, your refrigerator's accessory packet includes an air filter, which must be installed prior to use. On some models, the air filter is already installed at the factory.



### Installing the Air Filter

Install the air filter behind the vented door, located along the rear interior wall of the refrigerator compartment.

1. Remove the air filter from its packaging.

**NOTE:** An air filter status indicator is included with the air filter. The indicator is not needed for models that display the air filter status on the control panel.

2. Lift open the vented door.
3. Snap the filter into place.

### Air Filter Status Indicator

The control panel displays the Air Filter status.

- **GOOD** - The air filter icon on the control lights up in BLUE.
- **ORDER** a replacement - The air filter icon on the control lights up in YELLOW.
- **REPLACE** air filter - The air filter icon on the control lights up in RED and "Replace Filter" will appear.
- **EXPIRED** - The air filter icon lights up in RED and "Replace Filter" flashes on the control display.

After replacing the air filter, press and hold the AIR FILTER button for 3 seconds. The filter icons will turn off. See "Using the Control(s)." When the system is reset, the air filter icon will return to its BLUE color and the words "Replace Filter" will disappear from the display.

**NOTE:** At any filter status, pressing and holding the AIR FILTER button for 3 seconds will reset the air filter status to Good and the air filter icon will turn off.

### Replacing the Air Filter

The disposable air filter should be replaced every 6 months, or when the status indicator air filter icon turns on and starts flashing when the refrigerator door is opened.

To order a replacement air filter, contact us. See "Accessories."

1. Remove the used air filter by squeezing in on the side tabs.
2. Install the new air filter and reset the status indicator using the instructions in the previous section.

### Install Produce Preserver (on some models)

The accessory packet includes two produce preserver pouches, which should be installed in a crisper drawer prior to use.

**NOTE:** For best performance, always use two pouches.

The produce preserver absorbs ethylene, to slow the ripening process of many produce items. As a result, certain produce items will stay fresh longer.

Ethylene production and sensitivity varies depending on the type of fruit or vegetable. To preserve freshness, it is best to separate produce with sensitivity to ethylene from fruits that produce moderate to high amounts of ethylene.

	Produces Ethylene			
	Very Low	Low	High	Very High
Sensitivity to Ethylene				
High	Broccoli Lettuce Spinach			Apples Pears
Med.	Asparagus Citrus fruit		Cantaloupe	
Low	Carrots Grapes	Berries		

## Installing the Produce Preserver

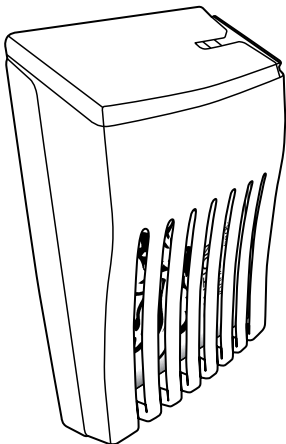
### CAUTION: IRRITANT

MAY IRRITATE EYES AND SKIN. DANGEROUS FUMES FORM WHEN MIXED WITH OTHER PRODUCTS.

Do not mix with cleaning products containing ammonia, bleach or acids. Do not get in eyes, on skin or clothing. Do not breathe dust. Keep out of reach of children.

**FIRST AID TREATMENT:** Contains potassium permanganate. If swallowed, call a Poison Control Center or doctor immediately. Do not induce vomiting. If in eyes, rinse with water for 15 minutes. If on skin, rinse with water.

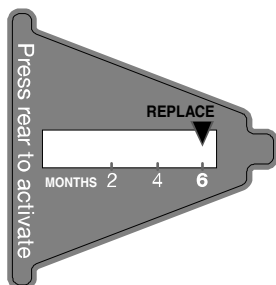
The produce preserver pouches should be installed in the housing, located on the wall of one of the crisper drawers.



1. Remove the FreshFlow™ Produce Preserver pouches from the packaging.
2. Lift up on the housing to remove it from the mounting tab.
3. Open the housing by pulling up and out on the back of the top of the housing.
4. Place both pouches inside the housing, then snap the housing back together.
5. Place the housing back on the mounting tab.

## Installing the Status Indicator

The produce preserver comes with a status indicator, which should be activated and installed at the same time the pouches are installed.



1. Place the indicator face-down on a firm, flat surface.
  2. Apply pressure to the bubble on the back of the indicator until the bubble pops, to activate the indicator.
  3. Slide open the cap on the top of the produce preserver housing.
  4. Place the indicator in the top of the housing, facing outward.
  5. Slide the cap closed, and check that the indicator is visible through the rectangular hole in the cap.
- NOTE:** The cap will not easily close if the indicator's bubble has not been popped.

## Replacing the Produce Preserver

The disposable pouches should be replaced every 6 months, when the status indicator has completely changed from white to red.

To order replacements, contact us. See "Accessories" for information on ordering.

1. Remove the used pouches from the produce preserver housing.
2. Remove the used status indicator.
3. Install the replacement pouches and status indicator using the instructions in the previous sections.

## Accessories

The following accessories are available for your refrigerator. To order, contact us and ask for the part numbers.

In the U.S.A., visit our web page [www.maytag.com/accessories](http://www.maytag.com/accessories) or call 1-800-901-2042.

In Canada, visit our web page [www.whirlpoolparts.ca](http://www.whirlpoolparts.ca) or call 1-800-807-6777.

### affresh® Stainless Steel Cleaner:

In U.S.A., order Part #W10355016  
In Canada, order Part #W10355016B

### affresh® Stainless Steel Wipes:

In U.S.A., order Part #W10355049  
In Canada, order Part #W10355049B

### affresh® Kitchen & Appliance Cleaner:

In U.S.A., order Part #W10355010  
In Canada, order Part #W10355010B

### Air Filter:

Order Part #W10311524 or AIR1

### Produce Preserver:

Order Part #W10346771A or FRESH1

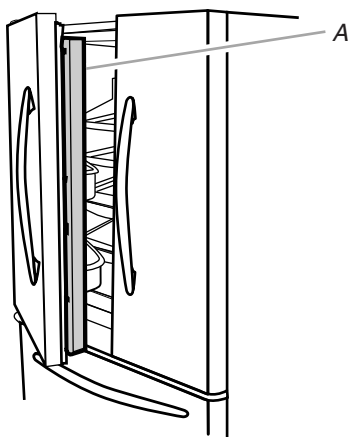
# REFRIGERATOR USE

## Opening and Closing Doors

There are two refrigerator compartment doors. The doors can be opened and closed either separately or together.

There is a vertically-hinged seal on the left refrigerator door.

- When the left side door is opened, the hinged seal automatically folds inward so that it is out of the way.
- When both doors are closed, the hinged seal automatically forms a seal between the two doors.



A. Hinged seal

## Using the Controls

### IMPORTANT:

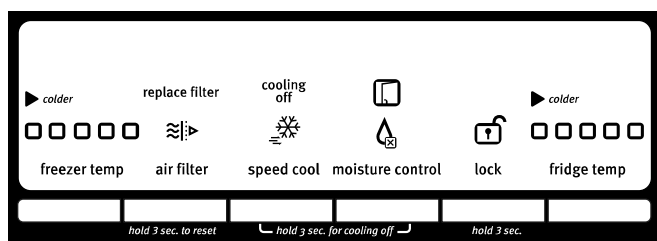
- Wait 24 hours for your refrigerator to cool completely before adding food. If you add food before the refrigerator has cooled completely, your food may spoil.

**NOTE:** Adjusting the refrigerator and freezer temperature controls to a colder than recommended setting will not cool the compartments any faster.

- The recommended setting should be correct for normal household refrigerator use. The controls are set correctly when milk or juice is as cold as you like and when ice cream is firm.
- If the temperature is too warm or too cold in the refrigerator or freezer, first check the air vents to be sure they are not blocked before adjusting the controls.

### Control Panel

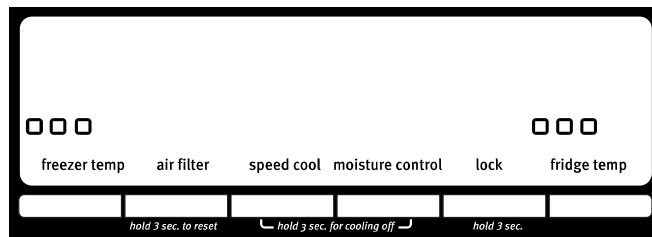
Your refrigerator has an internal control panel, located at the top of the refrigerator compartment.



## Temperature Control

For your convenience, the temperature control is preset at the factory. When you first install your refrigerator, make sure the control is still set to the recommended setting as shown.

### Recommended Setting "3 Lit Boxes"



## Adjusting the Controls

If you need to adjust the temperature in either the refrigerator or freezer compartment, use the settings listed in the following chart as a guide.

- Press the TEMP button to display the desired number of boxes from (1 box [least cold] to 5 boxes [coldest]).

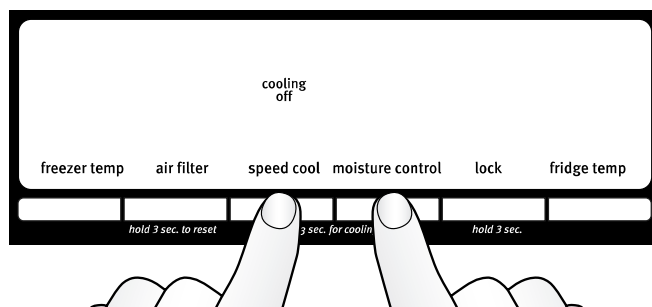
**NOTE:** Except when starting the refrigerator, do not adjust the control more than one setting at a time. Wait 24 hours between adjustments for the temperature to stabilize.

CONDITION/REASON:	ADJUSTMENT:
REFRIGERATOR too warm	FRIDGE TEMP one more box
FREEZER too warm/too little ice	FREEZER TEMP one more box
REFRIGERATOR too cold	FRIDGE TEMP one less box
FREEZER too cold	FREEZER one less box

## Cooling On/Off

Your refrigerator and freezer will not cool when cooling is turned off.

- To turn cooling off, press and hold both the SPEED COOL and MOISTURE CONTROL buttons, at the same time, for 3 seconds. When cooling is off, the Cooling Off icon will appear on the display.
- To turn cooling back on, press and hold both the SPEED COOL and MOISTURE CONTROL buttons, at the same time, for 3 seconds. When cooling is on, the Cooling Off icon will disappear and the previously selected settings will be displayed.



---

## Additional Features

---

### Door Open Alarm

- The Door Open icon lights up whenever either door is opened.



- When either door is open for 5 minutes and cooling is on, an alert tone will sound three times, and the Door Open icon will flash seven times. This pattern will repeat every 2 minutes until all the doors are closed properly. The feature then resets and will reactivate when either door is left open again for 5 minutes.

#### NOTES:

- To mute the audible alarm while keeping the doors open, such as while cleaning the inside of the refrigerator, press any button on the control panel. The alarm sound will be temporarily turned off, but the Door Open icon will still be displayed on the dispenser control panel.
- Both doors must be fully closed to turn off the Door Open icon.

### Speed Cool

The Speed Cool feature assists during times of high refrigerator use, full grocery loads or temporarily warm room temperatures.

- Press SPEED COOL to set the freezer and refrigerator to the coldest temperature settings. Press SPEED COOL again to return to the selected temperature set point.

#### NOTES:

- The Speed Cool icon will be illuminated while the refrigerator is in Speed Cool mode.
- The Speed Cool feature will turn off automatically after 24 hours.



### Moisture Control

The moisture control feature turns on a heater to help reduce moisture on the door hinge seal. Use in humid environments or when you notice moisture on the door hinge seal. The refrigerator uses more energy when Moisture Control is on.

- To turn on the Moisture Control feature, press and hold MOISTURE CONTROL for 3 seconds.
- To turn off the Moisture Control feature, press and hold MOISTURE CONTROL for 3 seconds.



### Air Filter Status Light and Reset

The filter reset control allows you to restart the air filter status tracking feature each time you replace the air filter. See "Install Air Filter."

- Press and hold AIR FILTER for 3 seconds, to reset the air filter status to Good. The air filter icon will turn blue.



### Control Panel Lock

The control panel can be locked to avoid unintentional changes to the settings.

**NOTE:** The lock feature does not shut off power to the refrigerator. It simply deactivates the controls.

- Press and hold LOCK for 3 seconds to lock the controls. The Lock icon will illuminate when the control panel is locked.
- Press and hold LOCK for 3 seconds again to unlock the controls.



---

## REFRIGERATOR FEATURES

**NOTE:** Your model may have some or all of these features.

### Important information to know about glass shelves and covers:

Do not clean glass shelves or covers with warm water when they are cold. Shelves and covers may break if exposed to sudden temperature changes or impact, such as bumping. Tempered glass is designed to shatter into many small, pebble-size pieces. This is normal. Glass shelves and covers are heavy. Use both hands when removing them to avoid dropping.

---

## Refrigerator Shelves

The shelves in your refrigerator are adjustable to match your individual storage needs.

---

### Glass Shelves

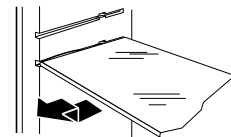
---

#### To remove a shelf:

1. Remove items from the shelf.
2. Slide the shelf straight out to the stop.
3. Depending on your model, lift the back or front of the shelf past the stop. Pull the shelf out the rest of the way.

#### To replace a shelf:

1. Slide the back of the shelf into the track in the wall of the cabinet.
2. Guide the front of the shelf into the shelf track. Be sure to slide the shelf in all the way.



---

## Fold Away Shelf (on some models)

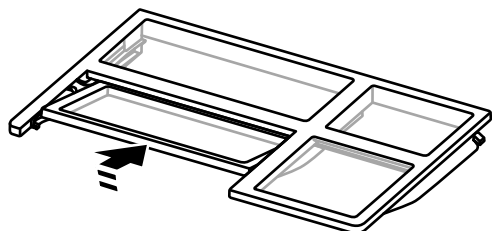
---

### To retract the fold away shelf:

- Retract the fold away section of the shelf by holding the front of the shelf with one hand and lifting up on the center front of the shelf. Then push back and down on the shelf until it slides beneath the back section of the shelf.

### To replace the fold away shelf:

- Replace the fold away section of the shelf by holding the front of the shelf with one hand and pulling the center of the shelf until the fold away section is returned to its full shelf position.



---

## Pantry Drawer

---

### Pantry Drawer

#### To remove and replace the pantry drawer:

1. Slide pantry drawer out to the stop.
2. Lift front of pantry drawer with one hand while supporting bottom of drawer with other hand. Slide drawer out the rest of the way.
3. Replace the drawer by sliding it back in fully past the drawer stop.

---

### Pantry Drawer Cover

#### To remove and replace the pantry drawer cover:

1. Remove the pantry drawer.
2. From underneath, push up on the glass cover and pull it out.
3. Replace the pantry drawer cover by lowering it into place.
4. Replace the pantry drawer.

---

## Pantry Drawer Control

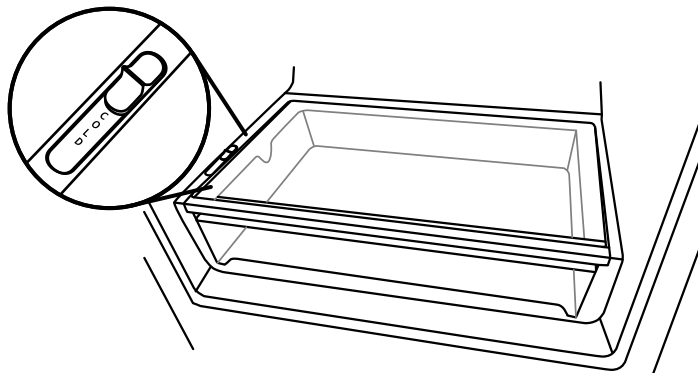
---

The amount of air flowing through the pantry drawer affects the temperature inside the drawer.

The airflow control is located on the left side of the pantry drawer.

#### To adjust the airflow:

- Colder - Slide the control forward, toward the front of the pantry drawer. The airflow is open.
- Cold - Slide the control all the way toward the rear of the pantry drawer. The airflow is closed, as shown.



---

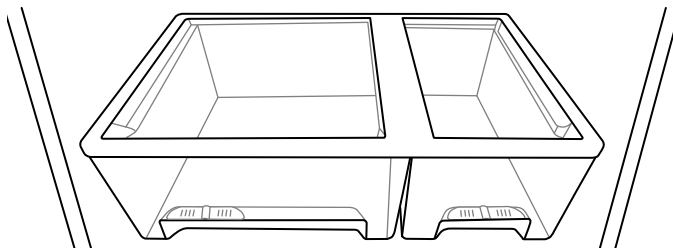
## Crisper

---

### Crisper Drawers

#### To remove and replace the crisper drawer:

1. Slide the crisper drawer straight out to the stop. Lift the front and slide the drawer out the rest of the way.
2. Replace the drawer by sliding the drawer in fully past the stop.



---

### Crisper Cover

#### To remove and replace the glass crisper cover:

1. Pull the glass straight out.
2. Replace the glass by pushing it straight in.

---

## Crisper Humidity Control (on some models)

---

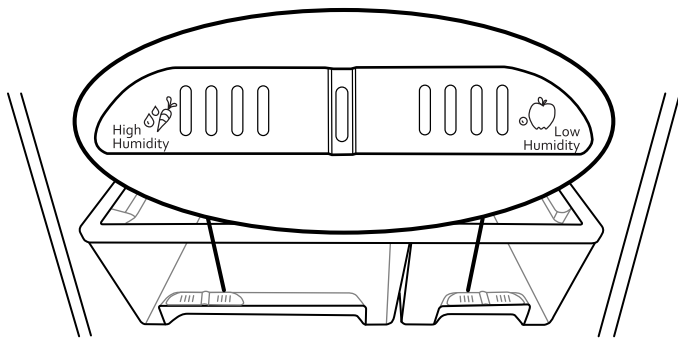
You can control the amount of humidity in the moisture-sealed crisper. Adjust the control to any setting between LOW and HIGH.

LOW (open) lets moist air out of the crisper for best storage of fruits and vegetables with skins.

- **Fruit:** Wash, let dry and store in refrigerator in plastic bag or crisper. Do not wash or hull berries until they are ready to use. Sort and keep berries in original container in crisper, or store in a loosely closed paper bag on a refrigerator shelf.
- **Vegetables with skins:** Place in plastic bag or plastic container and store in crisper.

HIGH (closed) keeps moist air in the crisper for best storage of fresh, leafy vegetables.

- **Leafy vegetables:** Wash in cold water, drain and trim or tear off bruised and discolored areas. Place in plastic bag or plastic container and store in crisper.



---

## DOOR FEATURES

---

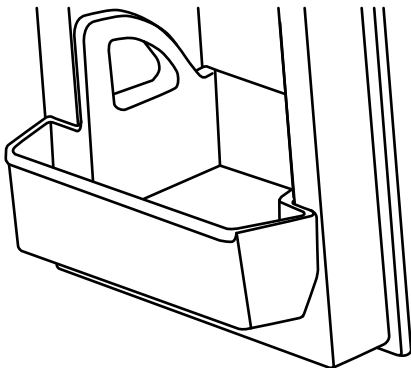
**NOTE:** Your model may have some or all of these features.

---

### Condiment Bins

**To remove and replace the condiment bins:**

1. Tilt the bin by grabbing it and pulling outward.
2. Remove the bin by grabbing it and lifting it upward off the glides.
3. Replace the bin by sliding it back onto the glides and then push it closed.

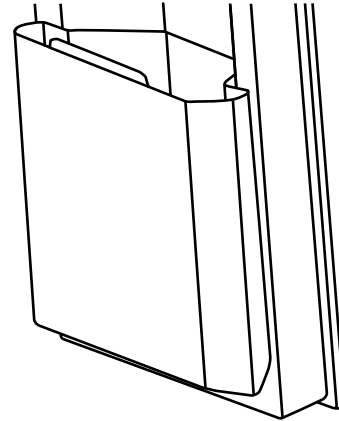


---

## Fresh Bin (on some models)

**To remove and replace the fresh bin:**

1. Open the bin by grabbing the top center lip of the bin and tilting the bin outward.
2. Remove the bin by grabbing both sides of the bin and lifting the bin upward off the glides.
3. Replace the bin by sliding it back into its tilted position on the glides and then push it closed.

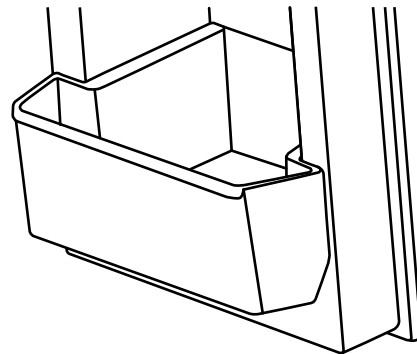


---

## Half-Height Bin (on some models)

**To remove and replace the half-height bin:**

1. Tilt the bin by grabbing it and pulling outward.
2. Remove the bin by grabbing it and lifting it upward off the glides.
3. Replace the bin by sliding it back onto the glides and then push it closed.





# REFRIGERATOR CARE

## Cleaning

### **⚠ WARNING**



#### **Explosion Hazard**

**Use nonflammable cleaner.**

**Failure to do so can result in death, explosion, or fire.**

Both the refrigerator and freezer sections defrost automatically. However, clean both sections about once a month to avoid buildup of odors. Wipe up spills immediately.

#### **IMPORTANT:**

- Because air circulates between both sections, any odors formed in one section will transfer to the other. You must thoroughly clean both sections to eliminate odors. To avoid odor transfer and drying out of food, wrap or cover foods tightly.
- For stainless steel models, stainless steel is corrosion-resistant and not corrosion-proof. To help avoid corrosion of your stainless steel, keep your surfaces clean by using the following cleaning instructions.

#### **To Clean Your Refrigerator:**

**NOTE:** Do not use abrasive or harsh cleaners such as window sprays, scouring cleansers, flammable fluids, muriatic acid, cleaning waxes, concentrated detergents, bleaches or cleansers containing petroleum products on exterior surfaces (doors and cabinet), plastic parts, interior and door liners or gaskets. Do not use paper towels, scouring pads, or other harsh cleaning tools.

1. Unplug refrigerator or disconnect power.
2. Hand wash, rinse, and dry removable parts and interior surfaces thoroughly. Use a clean sponge or soft cloth and a mild detergent in warm water.
3. Clean the exterior surfaces.

**Painted metal:** Wash painted metal exteriors with a clean, soft cloth or sponge and a mild detergent in warm water. Rinse surfaces with clean, warm water and dry immediately to avoid water spots.

**Stainless steel:** Wash stainless steel surfaces with a clean, soft cloth or sponge and a mild detergent in warm water. Rinse surfaces with clean, warm water and dry immediately to avoid water spots.

**NOTE:** When cleaning stainless steel, always wipe in the direction of the grain to avoid cross-grain scratching.

4. There is no need for routine condenser cleaning in normal home operating environments. If the environment is particularly greasy or dusty, or there is significant pet traffic in the home, the condenser should be cleaned every 2 to 3 months to ensure maximum efficiency.

If you need to clean the condenser:

- Remove the base grille.
  - Use a vacuum cleaner with a soft brush to clean the grille, the open areas behind the grille and the front surface area of the condenser.
  - Replace the base grille when finished.
5. Plug in refrigerator or reconnect power.

## Changing the Light Bulbs

#### **IMPORTANT:**

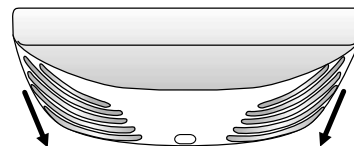
- Not all appliance bulbs will fit your refrigerator. Be sure to replace the bulb with an appliance bulb of the same size, shape and wattage.
- To ensure optimum refrigerator performance, replace light bulbs as soon as they burn out.

#### **Refrigerator Compartment Light**

The lighting located at the top of the refrigerator compartment never needs to be replaced. If the lights do not illuminate when the door is opened, call for assistance or service. In the U.S.A., call **1-800-253-1301**. In Canada, call **1-800-807-6777**.

#### **Freezer Compartment Light (on some models)**

1. Unplug the refrigerator or disconnect power.
2. Remove the light shield (on some models).
  - Top of the freezer compartment - Slide the light shield toward the back of the compartment to release it from the light assembly.




3. Replace the burned-out bulb with an appliance bulb(s) no greater than 25 watts.
4. Replace the light shield.
5. Plug in refrigerator or reconnect power.

# TROUBLESHOOTING

First try the solutions suggested here or visit our website and reference FAQs (Frequently Asked Questions) to possibly avoid the cost of a service call.  
 In the U.S.A., [www.maytag.com](http://www.maytag.com) In Canada, [www.maytag.ca](http://www.maytag.ca)

## Operation

**⚠ WARNING**



**Electrical Shock Hazard**

Plug into a grounded 3 prong outlet.

Do not remove ground prong.

Do not use an adapter.

Do not use an extension cord.

Failure to follow these instructions can result in death, fire, or electrical shock.

PROBLEM	POSSIBLE CAUSES	SOLUTIONS
The refrigerator will not operate	Check electrical supply	Plug the power cord into a grounded 3 prong outlet. Do not use an extension cord. Make sure there is power to the outlet. Plug in a lamp to see if the outlet is working. Reset a tripped circuit breaker. Replace any blown fuses. <b>NOTE:</b> If problems continue, contact an electrician.
	Check controls	Make sure cooling is turned on. See "Using the Controls."
	New installation	Allow 24 hours following installation for the refrigerator to cool completely. <b>NOTE:</b> Adjusting the temperature controls to the coldest setting will not cool either compartment quicker.

PROBLEM	POSSIBLE CAUSES	SOLUTIONS
<b>The motor seems to run too much</b>	High efficiency compressor and fans	This is normal. Larger, more efficient refrigerators run longer.
	The room or outdoor temperature is hot	It is normal for the refrigerator to work longer under these conditions. For optimum performance, place the refrigerator in an indoor, temperature controlled environment. See "Location Requirements."
	A large amount of warm food has been recently added	Warm food will cause the refrigerator to run longer until the air cools to the desired temperature.
	The door(s) are opened too frequently or for too long	Warm air entering the refrigerator causes it to run more. Open the door less often.
	The refrigerator door or freezer drawer is ajar	Make sure the refrigerator is level. See "Door Closing and Door Alignment." Keep food and containers from blocking the door.
	The refrigerator control is set too cold	Adjust the refrigerator control to a less cold setting until the refrigerator temperature is as desired. See "Using the Controls."
	The door or drawer gasket is dirty, worn or cracked	Clean or change the gasket. Leaks in the door seal will cause the refrigerator to run longer in order to maintain desired temperatures.
<b>The lights do not work</b>	A light bulb is loose in the socket or burned out	Tighten or replace the light bulb. See "Changing the Light Bulbs."

## Noise

PROBLEM	POSSIBLE CAUSES	SOLUTIONS
<b>The refrigerator seems noisy</b> Below are listed some normal sounds with explanations.	The compressor in your new refrigerator regulates temperature more efficiently while using less energy, and operates quietly. Due to the reduction in operating noise you may notice more intermittent noises.	
Sound of the compressor running longer than expected	High efficiency compressor and fans	This is normal. Larger, more efficient refrigerators run longer.
Pulsating/Whirring	Fans/compressor adjusting to optimize performance during normal compressor operation	This is normal.
Popping	Contraction/expansion of inside walls, especially during initial cool-down	This is normal.
Hissing/Dripping	Flow of refrigerant, or flow of oil in the compressor	This is normal.
Vibration	The refrigerator may not be steady	Adjust the leveling screws and lower the leveling foot firmly against the floor. See "Door Closing and Door Alignment."
Rattling/Banging	Movement of the water lines against the refrigerator cabinet, or of items placed on top of the refrigerator cabinet	Move excess water line away from the refrigerator cabinet or fasten excess tubing to the cabinet. See "Connecting the Water," or remove items from the top of the refrigerator.
Sizzling	Water dripping on the heater during defrost cycle	This is normal.
Water running/Gurgling	May be heard when ice melts during the defrost cycle and water runs into the drain pan	This is normal.
Buzzing	Heard when the water valve opens to fill the ice maker	This is normal.
Creaking/Cracking	May be heard as ice is being ejected from the ice maker mold	This is normal.
Ker-plunk	May be heard when the ice falls into the ice storage bin	This is normal.

## Temperature and Moisture

PROBLEM	POSSIBLE CAUSES	SOLUTIONS
<b>Temperature is too warm</b>	The refrigerator has just been installed	Allow 24 hours following installation for the refrigerator to cool completely.
	Cooling is turned off	Turn cooling on. See “Using the Controls.”
	The controls are not set correctly for the surrounding conditions	Adjust the controls a setting colder. Check the temperature in 24 hours. See “Using the Control(s).”
	The door(s) are opened often or not closed completely	Allows warm air to enter refrigerator. Minimize door openings and keep doors fully closed.
	A large load of food was recently added	Allow several hours for refrigerator to return to normal temperature.
<b>Temperature is too cold in the refrigerator/crisper</b>	The refrigerator air vent(s) are blocked	If the air vent located in the top, left, rear corner of the refrigerator compartment is blocked by items placed directly in front of it, the refrigerator will get too cold. Move items away from the air vent.
	The controls are not set correctly for the surrounding conditions	Adjust the controls a setting warmer. Check the temperature in 24 hours. See “Using the Control(s).”
	The ice storage bin is not in the correct position (on some models)	Make sure the ice storage bin is positioned so that it is not blocking airflow.
<b>Temperature is too cold in the pantry drawers (on some models)</b>	The control is not set correctly for the items stored in drawer	Adjust the control setting. See “Refrigerator Features.”
<b>There is interior moisture buildup</b> <b>NOTE:</b> Some moisture buildup is normal.	The room is humid	A humid environment contributes to moisture buildup.
	The door(s) are opened often or not closed completely	Allows humid air to enter the refrigerator. Minimize door openings and close doors completely.
	The door is blocked open	Move food packages away from door.
	A bin or shelf is in the way	Push bin or shelf back into the correct position.
	Storing liquid in open containers	This adds humidity to the refrigerator interior. Keep all containers tightly covered.
<b>There is frost/ice buildup in the freezer compartment</b>	The doors are opened often or left open	Minimize door openings and keep doors fully closed.
	Poor door seal	Ensure door seals are making full contact with the refrigerator cabinet to allow for an adequate seal.
	Temperature controls are not set correctly	See “Using the Controls” for recommended temperature settings.

## Ice and Water

PROBLEM	POSSIBLE CAUSES	SOLUTIONS
<b>The ice maker is not producing ice or is not producing enough ice (on some models)</b>	The refrigerator is not connected to a water supply or the water supply shutoff valve is not turned on	Connect refrigerator to water supply and turn water shutoff valve fully open.
	There is a kink in the water source line	A kink in the line can reduce water flow. Straighten the water source line.
	The ice maker is not turned on	Make sure the ice maker is on.
	The refrigerator has just been installed	Wait 24 hours after ice maker installation for ice production to begin. Wait 3 days for full ice production.
	The refrigerator door is not closed completely	Close the door firmly. If it does not close completely, see "The doors will not close completely."
	A large amount of ice was recently removed	Allow 24 hours for ice maker to produce more ice.
	An ice cube is jammed in the ice maker ejector arm	Remove ice from the ejector arm with a plastic utensil. <b>NOTE:</b> On some models, press the lever which opens the ice maker door to access the ejector arm.
A reverse osmosis water filtration system is connected to your cold water supply	This can decrease water pressure. See "Water Supply Requirements."	
<b>The ice cubes are hollow or small (on some models)</b> <b>NOTE:</b> This is an indication of low water pressure.	The water shutoff valve is not fully open	Turn the water shutoff valve fully open.
	There is a kink in the water source line	A kink in the line can reduce water flow. Straighten the water source line.
	A reverse osmosis water filtration system is connected to your cold water supply	This can decrease water pressure. See "Water Supply Requirements."
	Questions remain regarding water pressure	Call a licensed, qualified plumber.
<b>Off-taste, odor or gray color in the ice (on some models)</b>	Recently installed or replaced plumbing connections (new plumbing connections can cause discolored or off-flavored ice and water.)	Discard the ice and wash the ice storage bin. Allow 24 hours for the ice maker to make new ice, and discard the first 3 batches of ice produced.
	The ice has been stored too long	Discard ice. Wash ice storage bin. Allow 24 hours for ice maker to make new ice.
	Odor from stored food has transferred to the ice	Use airtight, moisture proof packaging to store food.
	There are minerals (such as sulfur) in the water	A water filter may need to be installed to remove the minerals.
<b>Water is leaking from the back of the refrigerator</b>	The water line connections were not fully tightened	See "Connecting the Water."
	Recently removed the doors and did not fully tighten water line connection	See "Remove and Replace Refrigerator Doors and Freezer Drawer Front."

## Doors

### **WARNING**



#### Explosion Hazard

**Use nonflammable cleaner.**

**Failure to do so can result in death, explosion, or fire.**

PROBLEM	POSSIBLE CAUSES	SOLUTIONS
<b>The door(s) or drawer will not close completely</b>	The door or drawer is blocked open	Move food packages away from door(s). Remove ice or other items which have fallen onto the floor of the freezer compartment.
	A bin or shelf is in the way	Push bin or shelf back into the correct position.
	Recently installed	Remove all packaging materials.
<b>The doors are difficult to open</b>	The door gaskets are dirty or sticky.	Clean gaskets and contact surfaces with mild soap and warm water. Rinse and dry with soft cloth.
<b>The doors appear to be uneven</b>	The doors need to be aligned or the refrigerator needs to be leveled	See "Door Closing and Door Alignment."
<b>The doors do not open or close as expected</b>	The refrigerator tilt needs to be adjusted	Adjust the refrigerator tilt. See "Door Closing and Door Alignment."

---

# MAYTAG® REFRIGERATION LIMITED WARRANTY

---

## FIRST YEAR LIMITED WARRANTY (PARTS AND LABOR)

For one year from the date of purchase, when this major appliance is installed, operated and maintained according to instructions attached to or furnished with the product, Maytag brand of Whirlpool Corporation or Whirlpool Canada, LP (hereafter "Maytag") will pay for factory specified replacement parts and repair labor to correct defects in materials or workmanship that existed when this major appliance was purchased.

## SECOND THROUGH TENTH YEAR LIMITED WARRANTY (COMPRESSOR ONLY - LABOR NOT INCLUDED)

In the second through tenth years from the date of original purchase, when this major appliance is installed, operated and maintained according to instructions attached to or furnished with the product, Maytag will pay for a factory specified replacement compressor to correct non-cosmetic defects in materials or workmanship in this part that prevent function of the refrigerator and that existed when this major appliance was purchased. This limited 10-year warranty is for the compressor only and does not include labor.

YOUR SOLE AND EXCLUSIVE REMEDY UNDER THE LIMITED WARRANTY SHALL BE PRODUCT REPAIR AS PROVIDED HEREIN. Service must be provided by a Maytag designated service company. This limited warranty is valid in the United States or Canada and applies only when the major appliance is used in the country in which it was purchased. This limited warranty is effective from the date of the original consumer purchase. Proof of original purchase date is required to obtain service under this limited warranty.

---

## ITEMS EXCLUDED FROM WARRANTY

**This limited warranty does not cover:**

1. Replacement parts or repair labor if this major appliance is used for other than normal, single-family household use or when it is used in a manner that is inconsistent to published user or operator instructions and/or installation instructions.
  2. Service calls to correct the installation of your major appliance, to instruct you on how to use your major appliance, to replace or repair house fuses, or to correct house wiring or plumbing.
  3. Service calls to repair or replace appliance light bulbs, air filters or water filters. Consumable parts are excluded from warranty coverage.
  4. Damage resulting from accident, alteration, misuse, abuse, fire, flood, acts of God, improper installation, installation not in accordance with electrical or plumbing codes, or use of products not approved by Maytag.
  5. Cosmetic damage, including scratches, dents, chips or other damage to the finish of your major appliance, unless such damage results from defects in materials or workmanship and is reported to Maytag within 30 days from the date of purchase.
  6. Any food or medicine loss due to refrigerator or freezer product failures.
  7. Pickup and delivery. This major appliance is intended to be repaired in your home.
  8. Repairs to parts or systems resulting from unauthorized modifications made to the appliance.
  9. Expenses for travel and transportation for product service if your major appliance is located in a remote area where service by an authorized Maytag servicer is not available.
  10. The removal and reinstallation of your major appliance if it is installed in an inaccessible location or is not installed in accordance with Maytag published installation instructions.
  11. Replacement parts or repair labor on major appliances with original model/serial numbers that have been removed, altered or cannot be easily determined.
  12. Discoloration, rust, or oxidation of stainless steel surfaces.
- 

## DISCLAIMER OF IMPLIED WARRANTIES

IMPLIED WARRANTIES, INCLUDING ANY IMPLIED WARRANTY OF MERCHANTABILITY OR IMPLIED WARRANTY OF FITNESS FOR A PARTICULAR PURPOSE, ARE LIMITED TO ONE YEAR OR THE SHORTEST PERIOD ALLOWED BY LAW. Some states and provinces do not allow limitations on the duration of implied warranties of merchantability or fitness, so this limitation may not apply to you. This warranty gives you specific legal rights, and you also may have other rights that vary from state to state or province to province.

---

## LIMITATION OF REMEDIES; EXCLUSION OF INCIDENTAL AND CONSEQUENTIAL DAMAGES

YOUR SOLE AND EXCLUSIVE REMEDY UNDER THIS LIMITED WARRANTY SHALL BE PRODUCT REPAIR AS PROVIDED HEREIN. MAYTAG SHALL NOT BE LIABLE FOR INCIDENTAL OR CONSEQUENTIAL DAMAGES. Some states and provinces do not allow the exclusion or limitation of incidental or consequential damages, so these limitations and exclusions may not apply to you. This warranty gives you specific legal rights, and you also may have other rights that vary from state to state or province to province.

---

If outside the 50 United States and Canada, contact your authorized Maytag dealer to determine if another warranty applies.

5/10



---

For additional product information, in the U.S.A., visit [www.maytag.com](http://www.maytag.com).

In Canada, visit [www.maytag.ca](http://www.maytag.ca).

If you do not have access to the Internet and you need assistance using your product or you would like to schedule service, you may contact Maytag at the number below.

*Have your complete model number ready. You can find your model number and serial number on the label, located on the inside wall of the refrigerator compartment.*

For assistance or service in the U.S.A., call 1-800-688-9900. In Canada, call 1-800-807-6777.

If you need further assistance, you can write to Maytag with any questions or concerns at the address below:

In the U.S.A.:

Maytag Brand Home Appliances  
Customer eXperience Center  
553 Benson Road  
Benton Harbor, MI 49022-2692

In Canada:

Maytag Brand Home Appliances  
Customer eXperience Centre  
200 – 6750 Century Ave.  
Mississauga, Ontario L5N 0B7

Please include a daytime phone number in your correspondence.

Please keep all provided instructions and your model number information for future reference.



# INSTRUCCIONES PARA EL USUARIO DEL REFRIGERADOR

LE AGRADECEMOS la compra de este producto de alta calidad. Si usted experimenta un problema que no se haya cubierto en SOLUCIÓN DE PROBLEMAS, visite nuestro sitio de internet en [www.maytag.com](http://www.maytag.com) para obtener información adicional. Si considera que aún necesita ayuda, llámenos al 1-800-688-9900. En Canadá, visite nuestro sitio de internet en [www.maytag.ca](http://www.maytag.ca) o llámenos al 1-800-807-6777.

Necesitará tener a mano su número de modelo y de serie, ubicados en la pared interior del compartimiento del refrigerador.

## SEGURIDAD DEL REFRIGERADOR

### Su seguridad y la seguridad de los demás es muy importante.

Hemos incluido muchos mensajes importantes de seguridad en este manual y en su electrodoméstico. Lea y obedezca siempre todos los mensajes de seguridad.



Este es el símbolo de advertencia de seguridad.

Este símbolo le llama la atención sobre peligros potenciales que pueden ocasionar la muerte o una lesión a usted y a los demás.

Todos los mensajes de seguridad irán a continuación del símbolo de advertencia de seguridad y de la palabra "PELIGRO" o "ADVERTENCIA". Estas palabras significan:

 **PELIGRO**

Si no sigue las instrucciones de inmediato, usted puede morir o sufrir una lesión grave.

 **ADVERTENCIA**

Si no sigue las instrucciones, usted puede morir o sufrir una lesión grave.

Todos los mensajes de seguridad le dirán el peligro potencial, le dirán cómo reducir las posibilidades de sufrir una lesión y lo que puede suceder si no se siguen las instrucciones.

### INSTRUCCIONES IMPORTANTES DE SEGURIDAD

**ADVERTENCIA:** Para reducir el riesgo de incendio, choque eléctrico, o lesiones personales al usar su refrigerador siga estas precauciones básicas:

- Conecte a un contacto de pared de conexión a tierra de 3 terminales.
- No use un adaptador.
- No quite la terminal de conexión a tierra.
- No use un cable eléctrico de extensión.
- Desconecte el suministro de energía antes de darle servicio.
- Vuelva a colocar todos los componentes y paneles antes de hacerlo funcionar.
- Remueva las puertas de su refrigerador viejo.
- Use un limpiador no inflamable.
- Mantenga los materiales y vapores inflamables, tales como gasolina, alejados del refrigerador.
- Use dos o más personas para mover e instalar el refrigerador.
- Desconecte el suministro de energía antes de instalar la fábrica de hielo (en aquellos modelos que incluyen el juego de instalación de la fábrica de hielo).
- Use un vaso resistente para recibir hielo del despachador (en algunos modelos).
- No golpee las puertas de vidrio del refrigerador (en algunos modelos).

**CONSERVAR ESTAS INSTRUCCIONES**

Advertencias de la Proposición 65 del estado de California:

ADVERTENCIA: Este producto contiene una o más sustancias químicas identificadas por el estado de California como causantes de cáncer.

ADVERTENCIA: Este producto contiene una o más sustancias químicas identificadas por el estado de California como causantes de defectos congénitos o algún otro tipo de daños en la función reproductora.

## Cómo deshacerse adecuadamente de su refrigerador viejo

### ⚠️ ADVERTENCIA

#### Peligro de Asfixia

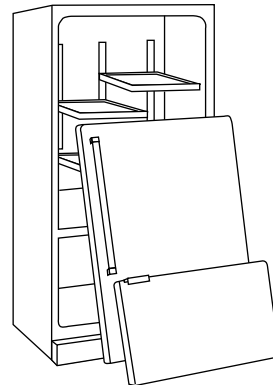
Remueva las puertas de su refrigerador viejo.

No seguir esta instrucción puede ocasionar la muerte o daño al cerebro.

**IMPORTANTE:** El atrapamiento y asfixia de niños no es un problema del pasado. Los refrigeradores tirados y abandonados son un peligro, aun si van a quedar ahí “por unos pocos días”. Si Ud. está por deshacerse de su refrigerador viejo, por favor siga las instrucciones que se dan a continuación para prevenir accidentes.

#### Antes de tirar su viejo refrigerador o congelador:

- Saque las puertas.
- Deje los estantes en su lugar, así los niños no pueden meterse adentro con facilidad.



#### Información importante para saber acerca del desecho de refrigerantes:

Deshágase del refrigerador siguiendo los reglamentos federales y locales. Los refrigerantes deberán ser evacuados por un técnico certificado en refrigeración por EPA (Agencia de protección del medioambiente) según los procedimientos establecidos.

# INSTRUCCIONES DE INSTALACIÓN

## Desempaque el refrigerador

### ⚠️ ADVERTENCIA

#### Peligro de Peso Excesivo

Use dos o más personas para mover e instalar el refrigerador.

No seguir esta instrucción puede ocasionar una lesión en la espalda u otro tipo de lesiones.

#### Cómo mover su refrigerador:

Su refrigerador es pesado. Cuando mueva el refrigerador para limpiarlo o para darle servicio, cerciórese de cubrir el piso con cartón o madera para evitar daños en el mismo. Al mover el refrigerador, siempre tire directamente hacia afuera. No menea el refrigerador de lado a lado ni lo haga “caminar” cuando lo trate de mover ya que podría dañar el piso.

#### Cómo quitar los materiales de empaque

- Quite los restos de cinta y goma de las superficies de su refrigerador antes de encenderlo. Frote un poco de detergente líquido para vajillas sobre el adhesivo con los dedos. Limpie con agua tibia y seque.
- No use instrumentos filosos, alcohol para fricciones, líquidos inflamables o productos de limpieza abrasivos para eliminar los restos de cinta o goma. Estos productos pueden dañar la superficie de su refrigerador. Para más información, vea “Seguridad del refrigerador”.
- Deshágase de todos los materiales de embalaje o recíclelos.

#### Limpieza antes del uso

Una vez que usted haya quitado todos los materiales de empaque, limpie el interior de su refrigerador antes de usarlo. Vea las instrucciones de limpieza en “Cuidado de su refrigerador”.

### Información importante para saber acerca de los estantes y tapas de vidrio:

No limpie los estantes y tapas de vidrio con agua caliente mientras están fríos. Los estantes y tapas pueden romperse si se exponen a cambios bruscos de temperatura o impacto, como sería un golpe brusco. El vidrio templado se ha diseñado para hacerse añicos. Esto es normal. Los estantes y tapas de vidrio son muy pesados. Use ambas manos al sacarlos para evitar que se caigan.

## Requisitos de ubicación

### ⚠ ADVERTENCIA



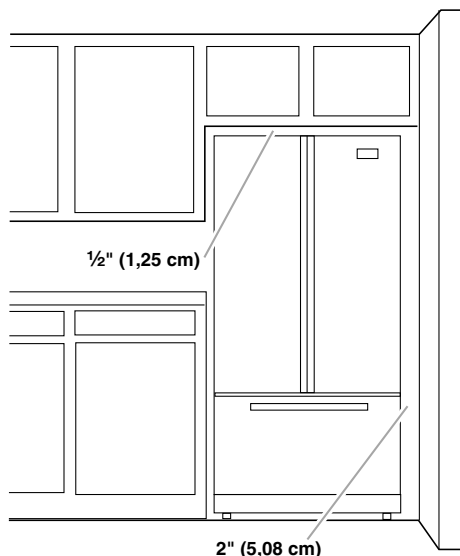
#### Peligro de Explosión

Mantenga los materiales y vapores inflamables, tales como gasolina, alejados del refrigerador.

No seguir esta instrucción puede ocasionar la muerte, explosión, o incendio.

Para asegurar la adecuada ventilación de su refrigerador, deje un espacio de ½" (1,25 cm) a cada lado y por encima. Deje un espacio de 1" (2,54 cm) detrás del refrigerador. Si su refrigerador tiene fábrica de hielo, asegúrese que hay espacio adicional atrás para las conexiones de la línea de agua. Cuando instale el refrigerador próximo a una pared fija, deje un espacio mínimo de 2" (5,08 cm) entre el refrigerador y la pared, para permitir que la puerta se abra bien.

**NOTA:** Este refrigerador ha sido diseñado para usarse en un lugar en donde los rangos de temperatura varíen entre un mínimo de 55 °F (13 °C) y un máximo de 110 °F (43 °C). Para un óptimo rendimiento, el rango preferido de temperatura de la habitación (que reduce el uso de electricidad y provee un enfriamiento superior) es entre 60 °F (15 °C) y 90 °F (32 °C). No se recomienda instalar el refrigerador cerca de una fuente de calor, como puede ser un horno o un radiador.



## Cómo sacar y volver a colocar las puertas y el frente del cajón del refrigerador

Según el ancho de la abertura de la puerta, tal vez sea necesario sacar las puertas del refrigerador para hacer entrar el mismo en su hogar.

### IMPORTANTE:

- Si el refrigerador fue instalado previamente y usted lo va a sacar fuera de la casa, antes de comenzar fije el control del refrigerador en OFF (Apagado) y desenchufe el refrigerador o desconecte el suministro de energía. Quite todos los alimentos y cualquier recipiente ajustable o de uso general de las puertas.
- Mantenga las puertas del refrigerador cerradas hasta que esté listo para levantarlas y quitarlas de la carcasa. Mientras quita las bisagras, siempre disponga de un soporte adicional para la puerta del refrigerador. No se confíe en que los imanes de la junta de las puertas van a sostener la puerta en su lugar mientras trabaja.
- Todas las ilustraciones a las que se hace referencia en las siguientes instrucciones se incluyen más adelante en esta sección después de "Pasos finales".

**HERRAMIENTAS NECESARIAS:** Llaves de cubo de cabeza hexagonal de 5/16", 3/8" y 1/4", destornillador Phillips N° 2 y destornillador de hoja plana.

## Cómo quitar las puertas y las bisagras

### ⚠ ADVERTENCIA



#### Peligro de Choque Eléctrico

Desconecte el suministro de energía antes de sacar las puertas.

No seguir esta instrucción puede ocasionar la muerte o choque eléctrico.

1. Desenchufe el refrigerador o desconecte el suministro de energía.
2. Quite la rejilla de la base. Tome la rejilla con firmeza y jálela hacia usted.
3. Comenzando por la puerta derecha, saque las piezas de la bisagra superior, como se muestra en la ilustración Bisagras superiores. Levante y saque la puerta del refrigerador del pasador inferior de la bisagra.
4. Saque la cubierta del pasador de la bisagra inferior y guárdela para usarla más tarde. Vea la ilustración Bisagras inferiores.
5. Saque la cubierta de la bisagra superior de la puerta izquierda del refrigerador.
6. Quite los componentes de la bisagra superior como se muestra en la ilustración Bisagras superiores. Levante la puerta izquierda del pasador inferior de la bisagra.

**NOTA:** En algunos modelos, saque la cubierta del pasador de la bisagra inferior y guárdela para usarla más tarde. Vea la ilustración Bisagras inferiores.

## Cómo volver a poner las puertas y las bisagras en su lugar

1. Ensamble los componentes de las bisagras superiores, como se muestra en la ilustración Bisagras superiores. No apriete completamente los tornillos.
2. Vuelva a colocar los componentes de la bisagra inferior, como se muestra en la ilustración Bisagras inferiores. Apriete los tornillos. Vuelva a poner en su lugar la puerta del refrigerador.  
**NOTA:** Mientras quita las bisagras siempre disponga de un soporte adicional para la puerta del refrigerador. No se confíe en que los imanes de la junta de las puertas van a sostener la puerta en su lugar mientras trabaja.
3. Alinee la puerta de modo que la base de las puertas del refrigerador esté alineada en forma pareja con la parte superior del cajón del congelador. Apriete todos los tornillos.
4. Vuelva a colocar las cubiertas de las bisagras superiores.

## Cómo quitar y volver a colocar el frente del cajón del congelador

**IMPORTANTE:** Tal vez se necesiten dos personas para quitar y volver a colocar el cajón del congelador. Las ilustraciones aparecen más adelante en esta sección.

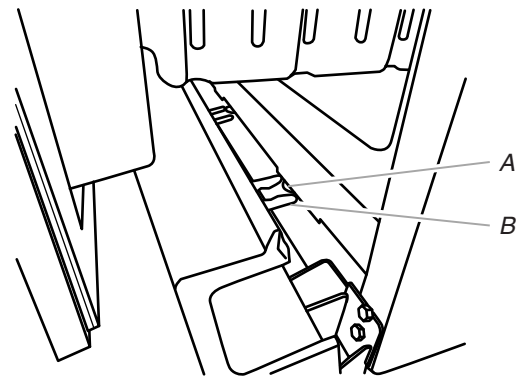
### Para sacar el frente del cajón:

1. Abra el cajón del congelador en toda su extensión.
2. Afloje los cuatro tornillos que sujetan las guías del cajón al frente del cajón. Vea la ilustración Cómo quitar el frente del cajón.  
**NOTA:** Afloje los tornillos girándolos tres o cuatro veces. Mantenga los tornillos en el frente del cajón.
3. Levante el frente del cajón y sáquelo de los tornillos. Vea la ilustración Cómo quitar el frente del cajón.
4. El ensamblaje de nivelador/rodillo sobresale de cada lado de la base de la carcasa. Quite los tres tornillos que sujetan cada ensamblaje y quite los ensamblajes. Vea la ilustración Ensamblaje de nivelador/rodillo.

### Para volver a colocar el frente del cajón:

1. Alinee el ensamblaje de nivelador/rodillo con los orificios que están a cada lado de la carcasa del refrigerador. Vuelva a instalar los ensamblajes a la base de la carcasa con los tornillos que se quitaron. Apriete los tornillos por completo.
2. Deslice las guías fuera del compartimiento del congelador. Inserte los tornillos en la parte superior del frente del cajón, dentro de las ranuras que están en los soportes del cajón. Vea la ilustración Cómo volver a colocar el frente del cajón.
3. Jale los soportes del cajón hacia usted para colocar los dos tornillos en la base del frente del cajón, dentro de los soportes. Apriete por completo los cuatro tornillos. Vea la ilustración Cómo volver a colocar el frente del cajón.

4. Vuelva a colocar la rejilla de la base.
  - Jale el cajón del congelador para abrirlo.
  - Alinee los tres sujetadores que están en la parte posterior de la rejilla de la base con las tres lengüetas que están en la base del refrigerador.
  - Empuje la rejilla de la base hacia el refrigerador hasta que quede firme en el lugar.



A. Lengüeta  
B. Sujetador

## Pasos finales

### ⚠ ADVERTENCIA



#### Peligro de Choque Eléctrico

**Conecte a un contacto de pared de conexión a tierra de 3 terminales.**

**No quite la terminal de conexión a tierra.**

**No use un adaptador.**

**No use un cable eléctrico de extensión.**

**No seguir estas instrucciones puede ocasionar la muerte, incendio o choque eléctrico.**

1. Conecte a un contacto de pared de conexión a tierra de 3 terminales.
2. Vuelva a colocar todas las piezas removibles a las puertas, al cajón y los alimentos, al refrigerador y al congelador.



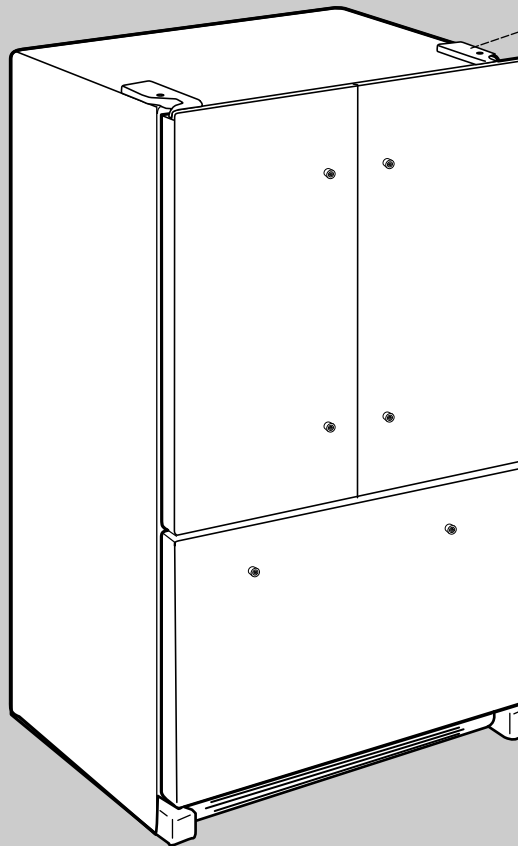
# ⚠ ADVERTENCIA

Peligro de Choque Eléctrico

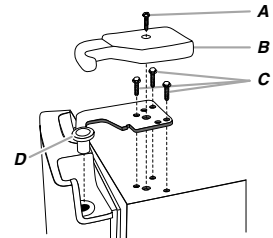
Desconecte el suministro de energía antes de sacar las puertas.

No seguir esta instrucción puede ocasionar la muerte o choque eléctrico.

## Cómo quitar y volver a colocar las puertas

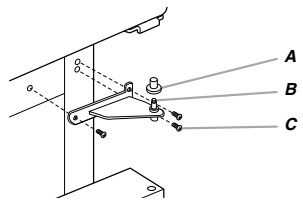


### Bisagras superiores



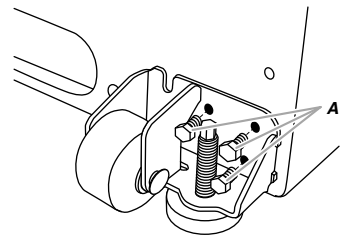
- A. Tornillo de la cubierta de la bisagra
- B. Cubierta de la bisagra superior
- C. Tornillos de cabeza hexagonal de 3/16" de la bisagra
- D. Bisagra superior

### Bisagras inferiores



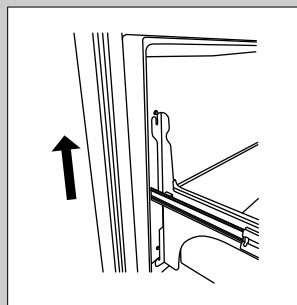
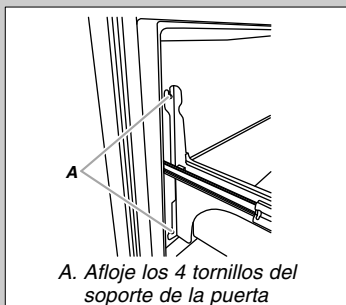
- A. Cubierta del pasador de la bisagra
- B. Bisagra inferior
- C. Tornillos de la bisagra

### Ensamblaje de nivelador/rodillo

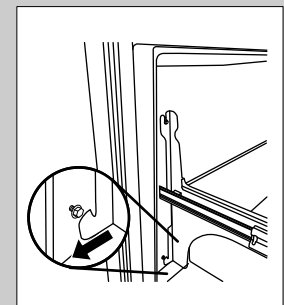
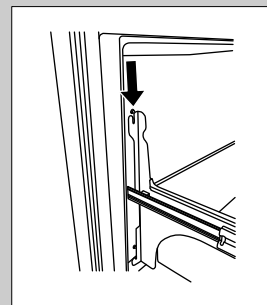


- A. Tornillos del ensamblaje

## Cómo quitar el frente del cajón



## Cómo volver a colocar el frente del cajón



## Requisitos eléctricos

### ⚠ ADVERTENCIA



#### Peligro de Choque Eléctrico

**Conecte a un contacto de pared de conexión a tierra de 3 terminales.**

**No quite la terminal de conexión a tierra.**

**No use un adaptador.**

**No use un cable eléctrico de extensión.**

**No seguir estas instrucciones puede ocasionar la muerte, incendio o choque eléctrico.**

Antes de mover el refrigerador a su posición definitiva, es importante asegurarse que Ud. tiene la conexión eléctrica adecuada.

#### Método de conexión a tierra recomendado

Se requiere una fuente de energía eléctrica de 115 Voltios, 60 Hz., CA solamente y con fusibles de 15 ó 20 amperios, debidamente conectada a tierra. Se recomienda que se use un circuito separado sólo para su refrigerador. Use un tomacorriente que no se puede apagar con un interruptor. No use un cable eléctrico de extensión.

**NOTA:** Antes de realizar cualquier tipo de instalación, limpieza o de quitar un foco de luz, APAGUE el enfriamiento (Cooling OFF), y luego desconecte el refrigerador de la fuente de energía. Cuando Ud. haya terminado, reconecte el refrigerador a la fuente de energía eléctrica y ENCIENDA el enfriamiento (Cooling ON). Vea "Uso de los controles".

## Requisitos del suministro de agua

Se necesita un suministro de agua fría con presión de agua entre 30 y 120 lbs/pulg<sup>2</sup> (207 y 827 kPa) para hacer funcionar el despachador de agua y la fábrica de hielo. Si tiene preguntas acerca de la presión del agua, llame a un plomero competente autorizado.

#### Suministro de agua por ósmosis inversa

**IMPORTANTE:** La presión del suministro de agua que sale de un sistema de ósmosis inversa y va a la válvula de entrada de agua del refrigerador deberá ser entre 30 y 120 lbs/pulg<sup>2</sup> (207 y 827 kPa).

Si se conecta un sistema de filtración de agua de ósmosis inversa al suministro de agua fría, la presión de agua al sistema de ósmosis inversa deberá ser de un mínimo de 40 a 60 lbs/pulg<sup>2</sup> (276 a 414 kPa).

Si la presión de agua hacia el sistema de ósmosis inversa es menor de 40 a 60 lbs/pulg<sup>2</sup> (276 a 414 kPa):

- Fíjese si el filtro de sedimentos en el sistema de ósmosis inversa está bloqueado. Reemplácelo si fuera necesario.

- Deje que se vuelva a llenar el tanque de almacenaje del sistema de ósmosis inversa después del uso intenso. La capacidad del tanque podría ser demasiado baja para mantener los requisitos del refrigerador.
- Si su refrigerador tiene un filtro de agua, se podrá reducir la presión aún más si se usa en conjunto con un sistema de ósmosis inversa. Saque el filtro de agua. Vea "Sistema de filtración de agua".

Si tiene preguntas acerca de la presión del agua, llame a un plomero competente autorizado.

## Conexión del suministro de agua

Lea todas las instrucciones antes de comenzar.

#### IMPORTANTE:

- Todas las instalaciones deben hacerse de acuerdo a los requisitos locales de plomería.
- Use tubería de cobre o una línea de suministro de Whirlpool, Pieza número 8212547RP, y revise si hay fugas.
- Instale la tubería de cobre sólo en áreas donde la temperatura va a permanecer por encima del punto de congelación.

#### HERRAMIENTAS NECESARIAS:

Reúna las herramientas y piezas necesarias antes de comenzar la instalación. Lea y siga las instrucciones provistas con cualquiera de las herramientas enlistadas aquí.

- Destornillador de hoja plana
- Llave de tuercas de ¼"
- Llaves de boca de 7/16" y ½" o dos llaves ajustables
- Broca de ¼"
- Taladro inalámbrico

**NOTA:** El distribuidor de su refrigerador tiene un juego de válvula de cierre tipo montura de ¼" (6,35 mm), una unión y tubería de cobre. Antes de comprar, asegúrese de que la válvula tipo montura cumple con los códigos de plomería locales. No use una válvula perforadora o una válvula de montura de 3/16" (4,76 mm) que reduce el flujo de agua y se obstruye con más facilidad.

## Conexión a la línea de agua

#### Estilo 1

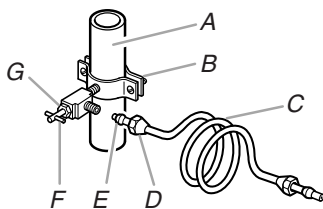
1. Desenchufe el refrigerador o desconecte el suministro de energía.
2. CIERRE el suministro principal de agua. ABRA la llave de agua más cercana el tiempo suficiente para que la tubería de agua se vacíe.
3. Busque una tubería vertical de agua fría de ½" a 1¼" (1,25 cm a 3,18 cm) cercana al refrigerador.

#### IMPORTANTE:

- Asegúrese de que sea una tubería de agua fría.
  - Una tubería horizontal funcionará, pero taladre por el lado de arriba de la tubería, no por debajo. Esto ayudará a mantener el agua alejada del taladro y evitará que se acumule sedimento normal en la válvula.
4. Determine la longitud de la tubería de cobre que necesite. Mida desde la conexión de la parte baja trasera izquierda del refrigerador hasta la tubería de agua. Agregue 7 pies (2,1 m) para permitir la limpieza. Use una tubería de cobre de ¼" (6,35 mm) de diámetro externo. Asegúrese de que ambos extremos de la tubería de cobre estén cortados rectos.



- Usando un taladro inalámbrico, haga un orificio de 1/4" en la tubería de agua fría que usted eligió.



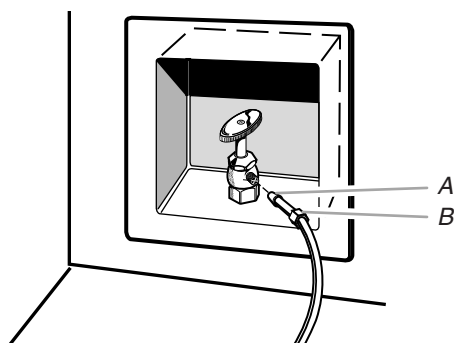
- A. Tubería de agua fría  
B. Abrazadera para tubería  
C. Tubería de cobre  
D. Tuerca de compresión  
E. Manga de compresión  
F. Válvula de cierre  
G. Tuerca de presión

- Afiance la válvula de cierre a la tubería de agua fría con la abrazadera para tubería. Asegúrese de que el extremo de salida esté firmemente insertado en el orificio taladrado de 1/4" (6,35 mm) en la tubería de agua y que la arandela esté por debajo de la abrazadera para tubería. Apriete la tuerca de presión. Apriete los tornillos de la abrazadera para tubería lentamente y en forma pareja de manera que la arandela provea un cierre hermético. No apriete demasiado porque se puede aplastar la tubería de cobre.
- Deslice la manga de compresión y la tuerca de compresión sobre la tubería de cobre como se muestra. Inserte el extremo de la tubería en el extremo de salida en ángulo recto hasta donde sea posible. Atornille la tuerca de compresión al extremo de salida con una llave de tuercas ajustable. No apriete demasiado.
- Coloque el extremo libre de la tubería en un recipiente o fregadero y ABRA el suministro principal de agua. Enjuague la tubería hasta que el agua salga limpia. CIERRE la válvula de cierre del tubo de agua. Enrolle la tubería de cobre.

### Estilo 2

- Desenchufe el refrigerador o desconecte el suministro de energía.
- Retire y descarte el tapón de plástico negro del tubo gris de agua en la parte trasera del refrigerador.
- Enrosque la tuerca provista sobre la válvula de agua como se muestra.

**NOTA:** Apriete la tuerca a mano. Luego apriétela dos vueltas con una llave de tuercas. No apriete demasiado.



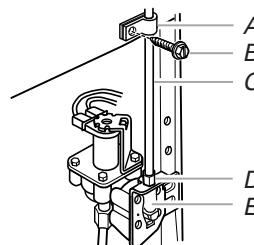
- A. Bulbo  
B. Tuerca (provista)

- ABRA la válvula de cierre.
- Revise si hay fugas. Apriete aquellas tuercas o conexiones que tengan fugas (incluidas las conexiones en la válvula).

### Conexión al refrigerador

#### Estilo 1

- Desenchufe el refrigerador o desconecte el suministro de energía.
- Fije el tubo de cobre a la entrada de la válvula usando una tuerca de compresión y manga de compresión, como se muestra. Ajuste la tuerca de compresión. No apriete demasiado.
- Use la abrazadera para tubería en la parte trasera del refrigerador para asegurar la tubería al refrigerador, como se muestra. Esto ayudará a evitar daños en la tubería cuando el refrigerador se empuje nuevamente contra la pared.
- ABRA la válvula de cierre.
- Revise si hay fugas. Ajuste las conexiones (incluso las de la válvula) o tuercas que tengan fugas.



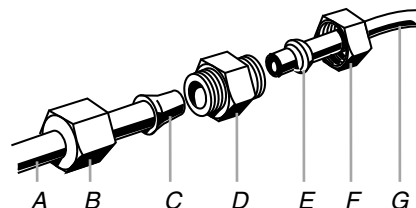
- A. Abrazadera para tubería  
B. Tornillo de la abrazadera para tubería  
C. Tubería de cobre  
D. Tuerca de compresión  
E. Entrada de la válvula

- En los modelos con fábrica de hielo, la fábrica de hielo está equipada con un filtro de agua incorporado. Si las condiciones del agua local requieren un segundo filtro de agua, se debe instalar en la línea de agua de 1/4" (6,35 mm) en cualquiera de las conexiones de la tubería. Obtenga un filtro de agua del distribuidor de electrodomésticos más cercano a su domicilio.

#### Estilo 2

- Desenchufe el refrigerador o desconecte el suministro de energía.
- Retire y descarte el tapón de plástico negro del tubo gris de agua en la parte trasera del refrigerador.
- Si el tubo de agua gris suministrado con el refrigerador no es lo suficientemente largo, se necesitará un acoplamiento de 1/4" x 1/4" (6,35 mm x 6,35 mm), para poder conectar la tubería de agua a la línea de agua de la casa. Enrosque la tuerca provista sobre el acoplamiento en el extremo de la tubería de cobre.

**NOTA:** Apriete la tuerca a mano. Luego apriétela dos vueltas con una llave de tuercas. No apriete demasiado.



- A. Tubería de agua del refrigerador  
B. Tuerca (provista)  
C. Bulbo  
D. Acoplamiento (provisto)  
E. Férula (adquirida)  
F. Tuerca (adquirida)  
G. Línea de agua de la casa

- ABRA la válvula de cierre.
- Revise si hay fugas. Apriete aquellas tuercas o conexiones que tengan fugas (incluidas las conexiones en la válvula).

## Complete la instalación

### ⚠ ADVERTENCIA



#### Peligro de Choque Eléctrico

Conecte a un contacto de pared de conexión a tierra de 3 terminales.

No quite la terminal de conexión a tierra.

No use un adaptador.

No use un cable eléctrico de extensión.

No seguir estas instrucciones puede ocasionar la muerte, incendio o choque eléctrico.

1. Conecte a un contacto de pared de conexión a tierra de 3 terminales.

#### NOTAS:

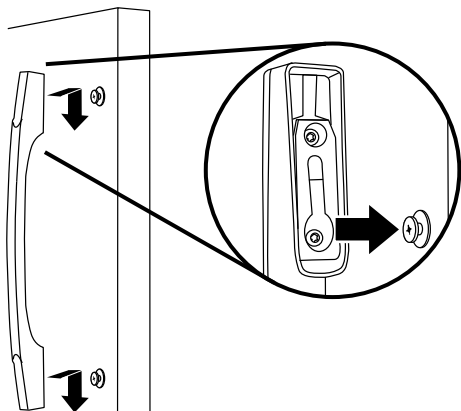
- Deje transcurrir 24 horas para la producción del primer lote de hielo. Deshágase de los tres primeros lotes de hielo producidos. Deje transcurrir 3 días para que se vuelva a llenar de hielo el recipiente.
- Para los modelos con despachador de agua, enjuague el sistema de agua. Vea "Despachador de agua".

## Instalación de las manijas

Piezas incluidas: Manijas (3)

### Cómo instalar las manijas de la puerta

1. Saque las manijas del empaque que está dentro del refrigerador.  
**NOTA:** Para evitar dañar las manijas, colóquelas sobre una toalla u otra superficie suave.
2. Coloque las ranuras con forma de bocallave de la manija sobre los tornillos de tope (preinstalados en la puerta). Presione la manija con firmeza para deslizarla hacia abajo, sobre los tornillos de tope.  
**NOTA:** No empuje la manija hacia la puerta, ya que esto podría dañarla. Sólo aplique presión hacia abajo.

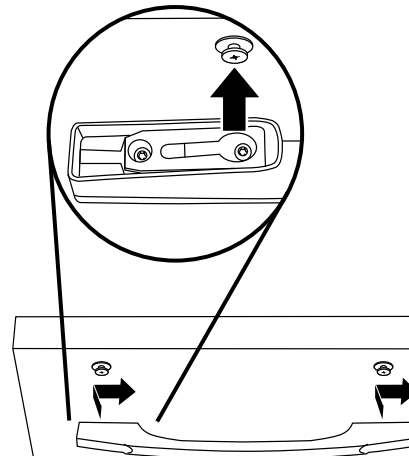


3. Repita los pasos anteriores para instalar la manija de la puerta adyacente.

## Cómo instalar la manija del cajón

1. Coloque las ranuras con forma de bocallave de la manija sobre los tornillos de tope (preinstalados en el cajón). Deslice la manija con firmeza hacia la derecha para que los tornillos de tope encajen por completo en las ranuras con forma de bocallave.

**NOTA:** No empuje la manija hacia el cajón, ya que esto podría dañarlo.



2. Guarde todas las instrucciones.

## Cómo sacar las manijas

### Puerta del refrigerador

- Levante la manija directamente hacia arriba y júlela para separarla de la puerta.
- Si es necesario, use un destornillador Phillips para quitar los tornillos de tope de la puerta.

### Cajón del congelador

- Deslice la manija hacia la izquierda para desenganchar la ranura con forma de bocallave de los tornillos de tope y júlela para separarla del cajón.
- Si es necesario, use un destornillador Phillips para quitar los tornillos de tope del cajón.

## Cierre y alineamiento de las puertas

**IMPORTANTE:** Para cumplir con las pautas de American Disabilities Act (ADA) (Ley sobre Estadounidenses con Discapacidades), repliegue completamente los rodillos dentro de la carcasa para bajar el refrigerador.

### Cierre de la puerta

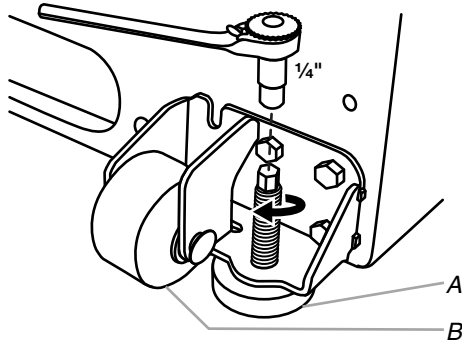
La rejilla de la base cubre los ensamblajes de tornillos niveladores y rodillos, ubicados en la base de la carcasa del refrigerador, debajo del cajón del congelador. Antes de hacer ajustes, quite la rejilla de la base y traslade el refrigerador hacia su ubicación final.

1. Quite la rejilla de la base. Tome la rejilla con firmeza y tire de ella hacia usted.
2. Mueva el refrigerador a su ubicación final.

**NOTA:** Para permitir que el refrigerador se deslice con más facilidad, levante las patas niveladoras del piso girando los tornillos niveladores hacia la izquierda. Los rodillos frontales tocarán el piso.

- Para que las puertas se cierren con más facilidad, use una llave hexagonal en L de 1/4" para girar ambos tornillos niveladores hacia la derecha. Esto hará que se levante la parte frontal del refrigerador, inclinándose ligeramente hacia abajo en la parte posterior. Gire ambos tornillos niveladores la misma cantidad de veces.

**NOTA:** Para quitar un poco de peso de los tornillos niveladores, haga que alguien empuje la parte superior del refrigerador. Esto facilita el giro de los tornillos.

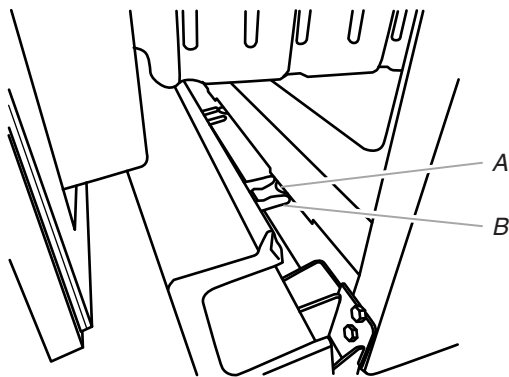


A. Tornillo nivelador  
B. Rodillo frontal

- Abra ambas puertas nuevamente para cerciorarse de que se cierren con la facilidad que usted desea y que permanezcan cerradas. De lo contrario, incline el refrigerador ligeramente más hacia la parte posterior, girando ambos tornillos reguladores hacia la derecha. Puede tomar varias vueltas más.

**NOTA:** Para mantener nivelado el refrigerador, deberá girar ambos tornillos niveladores la misma cantidad de veces.

- Vuelva a colocar la rejilla de la base.
  - Jale el cajón del congelador para abrirlo.
  - Alinee los tres sujetadores que están en la parte posterior de la rejilla de la base con las tres lengüetas que están en la base del refrigerador.
  - Empuje la rejilla de la base hacia el refrigerador hasta que quede firme en el lugar.



A. Lengüeta  
B. Sujetador

## Alineamiento de las puertas

Si el espacio entre las puertas del refrigerador y el cajón del congelador parece desparejo, puede regularlo siguiendo las instrucciones a continuación:

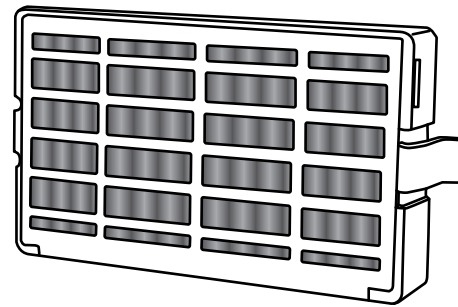
- Quite la cubierta de la bisagra superior.
- Afloje los tornillos de la bisagra superior usando una llave de cubo o de tuercas de 5/16".
- Haga que alguien sostenga la puerta en su lugar o coloque un espaciador entre las puertas y el cajón.
- Apriete los tornillos de la bisagra superior una vez que la puerta esté en la ubicación deseada.
- Vuelva a colocar la cubierta de la bisagra superior.

# FILTROS Y ACCESORIOS

## Instalación del filtro de aire (en algunos modelos)

El filtro de aire reduce la acumulación de olores. Esto ayuda a mantener un ambiente más limpio dentro del refrigerador.

En algunos modelos, el paquete de accesorios del refrigerador incluye un filtro de aire, el cual debe instalarse antes del uso. En algunos modelos, el filtro de aire ya está instalado de fábrica.



## Instale el filtro de aire

Instale el filtro de aire detrás de la puerta con orificios de ventilación, a lo largo de la pared posterior interior del compartimiento del refrigerador.

- Saque el filtro de aire del paquete.
 

**NOTA:** Se incluye un indicador del estado del filtro de aire con el mismo. El indicador no es necesario para los modelos que muestran el estado del filtro de aire en el panel de control.
- Levante la puerta con orificios de ventilación para abrirla.
- Encaje el filtro en su lugar.

## Indicador de estado del filtro de aire

El panel de control muestra el estado del filtro de aire.

- GOOD (Bueno) - El ícono del filtro de aire en el control se pondrá de color AZUL.
- ORDER (Pedir) PIDA un repuesto - El ícono del filtro de aire en el control se pondrá de color AMARILLO.
- REPLACE (Reemplazar) REEMPLACE el filtro de aire - El ícono del filtro de aire en el control se pondrá de color ROJO y aparecerán las palabras "Replace Filter" (Reemplace el filtro).

- EXPIRED (Vencido) - El ícono del filtro de aire se pondrá de color ROJO y destellarán las palabras "Replace Filter" (Reemplace el filtro) en la pantalla del control.

Después de reemplazar el filtro de aire, presione y sostenga el botón de AIR FILTER (Filtro de aire) durante 3 segundos. Los íconos del filtro se apagarán. Vea "Uso de los controles". Cuando se haya restablecido el sistema, el ícono del filtro de aire volverá a su color AZUL y desaparecerán las palabras "Replace Filter" (Reemplace el filtro) de la pantalla.

**NOTA:** En cualquier estado del filtro, el presionar y sostener el botón de AIR FILTER (Filtro de aire) durante 3 segundos restablecerá el estado del filtro de aire en "Good" (Bueno) y el ícono del filtro de aire se apagará.

### Reemplazo del filtro de aire

El filtro de aire desechable deberá reemplazarse cada 6 meses o cuando el ícono indicador de estado del filtro de aire se encienda y comience a destellar al abrirse la puerta del refrigerador.

Para pedir un filtro de aire de repuesto, póngase en contacto con nosotros. Consulte "Accesorios".

1. Quite el filtro viejo apretando las lengüetas laterales hacia dentro.
2. Instale el nuevo filtro de aire y vuelva a fijar el indicador de estado utilizando las instrucciones en las secciones anteriores.

## Instalación del preservador de alimentos frescos (en algunos modelos)

El paquete con accesorios incluye dos bolsas de preservador de alimentos frescos, las cuales deberán instalarse en un cajón de verduras antes de usarse.

**NOTA:** Para el mejor desempeño, use siempre dos bolsas.

El preservador de alimentos frescos absorbe el etileno, para así enlentecer el proceso de maduración de varios productos frescos. A consecuencia de esto, ciertos productos permanecerán frescos por más tiempo.

La producción de etileno y el grado de sensibilidad dependen del tipo de fruta o vegetal. Para mantener la frescura, es mejor separar los alimentos frescos con sensibilidad al etileno, como las frutas, ya que producen cantidades de etileno moderadas a altas.

		Ritmo de producción de etileno			
		Muy bajo	Bajo	Alto	Muy alto
Sensibilidad al etileno					
Alta	Brócoli Lechuga Espinaca				Manzanas Peras
Media	Espárragos Frutos cítricos			Cantalupo	
Baja	Zanahorias Uvas	Bayas			

## Cómo instalar el preservador de alimentos frescos

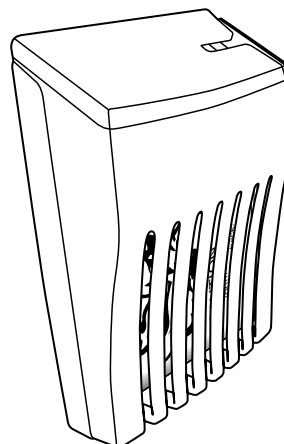
### CUIDADO: PRODUCTO IRRITANTE

PUEDE IRRITAR LOS OJOS Y LA PIEL. SE FORMAN GASES PELIGROSOS CUANDO SE MEZCLA CON OTROS PRODUCTOS.

No lo mezcle con productos de limpieza que contengan amoníaco, blanqueador o ácidos. No deje que entre en contacto con los ojos, la piel o la ropa. No respire el polvo. Manténgalo fuera del alcance de los niños.

**TRATAMIENTO DE PRIMEROS AUXILIOS:** Contiene permanganato de potasio. Si se ingiere el producto, llame inmediatamente al Poison Control Center (Servicio de toxicología) o a un médico. No induzca al vómito. Si el producto se introduce en los ojos, enjuague con agua durante 15 minutos. Si entra en contacto con la piel, enjuague con agua.

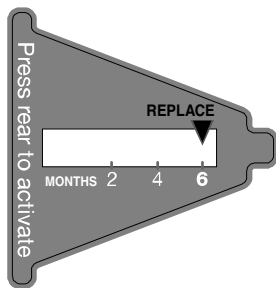
Las bolsas de preservador de alimentos frescos deberán instalarse en el alojamiento que está ubicado en la pared de uno de los cajones para verduras.



1. Saque las bolsas FreshFlow™ del preservador de alimentos frescos del paquete.
2. Levante el alojamiento para quitarlo de la lengüeta de montaje.
3. Abra el alojamiento jalando hacia arriba y hacia fuera sobre la parte posterior de la parte superior del alojamiento.
4. Coloque ambas bolsas dentro del alojamiento y cierre el alojamiento a presión.
5. Coloque el alojamiento nuevamente sobre la lengüeta de montaje.

## Cómo instalar el indicador de estado

El preservador de alimentos frescos viene con un indicador de estado que se debe activar e instalar en el mismo momento que se instalan las bolsas.



1. Coloque el indicador boca abajo sobre una superficie firme y plana.
2. Para activar el indicador, aplique presión sobre la burbuja ubicada en la parte posterior del indicador, hasta que ésta se revienta.
3. Deslice la tapa que está en la parte superior del alojamiento del preservador de alimentos frescos para abrirlo.
4. Coloque el indicador en la parte superior del alojamiento, mirando hacia fuera.
5. Cierre la tapa deslizándola y revise que el indicador esté visible a través del orificio rectangular en la tapa.

**NOTA:** La tapa no se cerrará con facilidad si no se ha reventado la burbuja del indicador.

## Cómo reemplazar el preservador de alimentos frescos

Las bolsas desechables deberán reemplazarse cada 6 meses, cuando el indicador de estado haya cambiado de blanco a rojo completamente.

Contáctenos para pedir reemplazos. Consulte "Accesorios" para obtener información acerca de cómo hacer un pedido.

1. Quite las bolsas usadas del alojamiento del preservador de alimentos frescos.
2. Quite el indicador de estado usado.
3. Instale las bolsas de reemplazo y el nuevo indicador de estado siguiendo las instrucciones en las secciones anteriores.

## Accesorios

Los siguientes accesorios están disponibles para su refrigerador. Para hacer un pedido, contáctenos y pida los números de pieza.

En los EE.UU., visite nuestra página de internet, [www.maytag.com/accessories](http://www.maytag.com/accessories) o llame al **1-800-901-2042**.

En Canadá, visite nuestra página de internet, [www.whirlpoolparts.ca](http://www.whirlpoolparts.ca) o llame al **1-800-807-6777**.

### Limpiador de acero inoxidable affresh™:

Pida la pieza N° W10355016

### Toallitas húmedas para acero inoxidable affresh™:

Pida la pieza N° W10355049

### Limpiador para cocina y electrodomésticos affresh™:

Pida la pieza N° W10355010

### Filtro de aire:

Pida la pieza N° W10311524 o AIR1

### Preservador de alimentos frescos:

Pida la pieza N° W10346771A o FRESH1

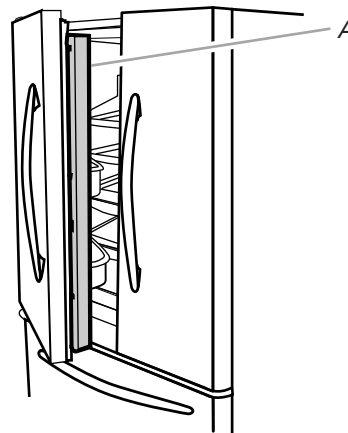
# USO DE SU REFRIGERADOR

## Cómo abrir y cerrar las puertas

El compartimiento del refrigerador tiene dos puertas. Las puertas pueden abrirse y cerrarse ya sea individualmente o a la vez.

Hay una junta con bisagras verticales en la puerta izquierda del refrigerador.

- Cuando se abre la puerta izquierda, la junta con bisagras se pliega hacia adentro automáticamente, para quedar fuera del camino.
- Cuando ambas puertas están cerradas, la junta con bisagras forma automáticamente un sello entre las dos puertas.



A. Junta con bisagras

## Uso de los controles

### IMPORTANTE:

- Espere 24 horas para que el refrigerador se enfríe completamente antes de agregar alimentos. Si agrega alimentos antes de que el refrigerador se haya enfriado por completo, sus alimentos podrían echarse a perder.

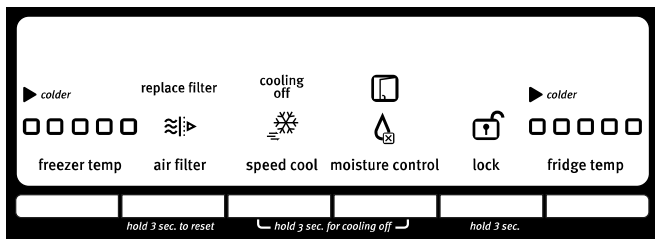
**NOTA:** Poner los controles de temperatura del refrigerador y del congelador en un ajuste más frío que el recomendado no enfriará más rápido los compartimientos.

- El ajuste recomendado debe ser el correcto para un uso doméstico normal del refrigerador. Los controles están ajustados correctamente cuando la leche o los jugos están tan fríos como Ud. desea y cuando el helado tiene consistencia firme.
- Si la temperatura está demasiado caliente o demasiado fría en el refrigerador o en el congelador, antes de regular los controles, revise primero los conductos de ventilación para cerciorarse de que no estén obstruidos.



## Panel de control

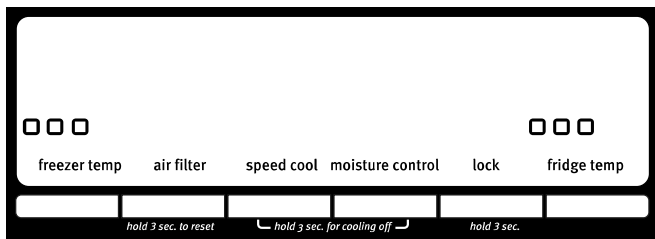
Su refrigerador tiene un panel de control interno, ubicado en la parte superior del compartimiento del refrigerador.



## Control de temperatura

Para su comodidad, el control de temperatura ha sido prefijado de fábrica. Cuando instale el refrigerador por primera vez, asegúrese de que el control esté todavía fijado en el ajuste recomendado, como se muestra.

### Ajuste recomendado de "3 casillas encendidas"



## Cómo ajustar los controles

Si necesita regular la temperatura en el compartimiento del refrigerador o del congelador, utilice como guía los ajustes que se enumeran en la tabla a continuación.

- Presione el botón de TEMP (Temperatura) para mostrar el número deseado de casillas (1 casilla [menos frío] a 5 casillas [el más frío]).

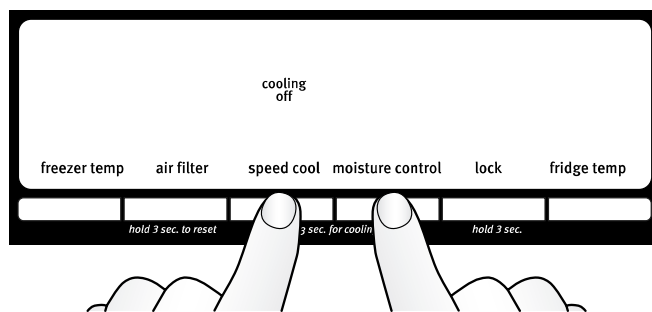
**NOTA:** No ajuste el control en más de un ajuste por vez, excepto cuando encienda el refrigerador. Espere 24 horas entre los ajustes para que se establezca la temperatura.

CONDICIÓN/MOTIVO:	AJUSTE:
REFRIGERADOR demasiado caliente	Una casilla más en la TEMPERATURA DEL REFRIGERADOR
CONGELADOR demasiado caliente/muy poco hielo	Una casilla más en la TEMPERATURA DEL CONGELADOR
REFRIGERADOR demasiado frío	Una casilla menos en la TEMPERATURA DEL REFRIGERADOR
CONGELADOR demasiado frío	Una casilla menos en el CONGELADOR

## Encendido/Apagado del enfriamiento

Su refrigerador y congelador no se enfriarán cuando el enfriamiento esté apagado.

- Para apagar el enfriamiento, presione y sostenga los botones de SPEED COOL (Enfriamiento acelerado) y MOISTURE CONTROL (Control de humedad) al mismo tiempo durante 3 segundos. Cuando esté apagado el enfriamiento, aparecerá el icono de "Cooling Off" (Enfriamiento apagado) en la pantalla.
- Para volver a encender el enfriamiento, presione y sostenga los botones de SPEED COOL (Enfriamiento acelerado) y MOISTURE CONTROL (Control de humedad) al mismo tiempo durante 3 segundos. Cuando el enfriamiento está encendido, el icono de Cooling Off (Enfriamiento apagado) desaparecerá y aparecerán los ajustes seleccionados previamente.



## Características adicionales

### Alarma de puerta abierta

- El icono de Puerta abierta se enciende cuando se abre cualquier puerta.



- Cuando cualquier puerta permanece abierta por 5 minutos y el enfriamiento está encendido, un tono de alerta sonará tres veces y el icono de Puerta abierta destellará siete veces. Estas acciones se repetirán cada 2 minutos hasta que las puertas se cierren apropiadamente. La característica se vuelve a fijar entonces y se reactivará cuando se deje nuevamente cualquier puerta abierta durante 5 minutos.

### NOTAS:

- Para silenciar la alarma audible mientras mantiene las puertas abiertas, como por ejemplo al limpiar el interior del refrigerador, presione cualquier botón en el panel de control. El sonido de la alarma estará apagado temporalmente, pero el icono de Puerta abierta seguirá apareciendo en la pantalla del panel de control del despachador.
- Ambas puertas deben cerrarse por completo para apagar el icono de Puerta abierta.

## Speed Cool (Enfriamiento acelerado)

La característica de Speed Cool (Enfriamiento acelerado) ayuda en los períodos de alto uso del refrigerador, cargas completas de comestibles o temperaturas ambientales temporalmente elevadas.

- Presione SPEED COOL (Enfriamiento acelerado) para fijar el congelador y el refrigerador en los ajustes de temperatura más fríos. Presione nuevamente SPEED COOL (Enfriamiento acelerado) para volver al punto fijo seleccionado de temperatura.

### NOTAS:

- El ícono de Speed Cool (Enfriamiento acelerado) se iluminará mientras el refrigerador se encuentre en el modo de Speed Cool (Enfriamiento acelerado).
- La característica de Speed Cool (Enfriamiento acelerado) se apagará automáticamente después de 24 horas.



## Control de humedad

El control de humedad enciende un calentador para ayudar a reducir la humedad en el sello de la bisagra de la puerta. Úselo en ambientes húmedos o cuando note humedad en el sello de la bisagra de la puerta. El refrigerador utiliza más energía cuando el Control de humedad (Moisture Control) está encendido.

- Para encender la característica del control de humedad, presione y sostenga MOISTURE CONTROL (Control de humedad) durante 3 segundos.
- Para apagar la característica del control de humedad, presione y sostenga MOISTURE CONTROL (Control de humedad) durante 3 segundos.



## Luz de estado del filtro de aire y reposición del filtro

El control de reposición del filtro le permite volver a iniciar la característica de control de estado del filtro de aire cada vez que reemplace el filtro de aire. Consulte "Instalación del filtro de aire".

- Presione y sostenga AIR FILTER (Filtro de aire) por 3 segundos para reajustar el estado del filtro de aire a Good (Bueno). El ícono del filtro de aire se pondrá azul.



## Bloqueo del panel de control

El panel de control puede bloquearse para evitar cambios accidentales en los ajustes.

**NOTA:** La característica de bloqueo no corta la energía eléctrica al refrigerador. Simplemente desactiva los controles.

- Presione y sostenga LOCK (Bloqueo) durante 3 segundos para bloquear los controles. El ícono del candado se iluminará cuando el panel de control esté bloqueado.
- Presione y sostenga nuevamente LOCK (Bloqueo) durante 3 segundos para desbloquear los controles.



# CARACTERÍSTICAS DEL REFRIGERADOR

**NOTA:** Su modelo podrá contar con algunas o todas estas características.

### Información importante para saber acerca de los estantes y tapas de vidrio:

No limpie los estantes y tapas de vidrio con agua caliente mientras están fríos. Los estantes y tapas pueden romperse si se exponen a cambios bruscos de temperatura o impacto, como sería un golpe brusco. El vidrio templado se ha diseñado para hacerse añicos. Esto es normal. Los estantes y tapas de vidrio son muy pesados. Use ambas manos al sacarlos para evitar que se caigan.

## Estantes del refrigerador

Los estantes de su refrigerador son ajustables para adaptarlos a sus necesidades individuales de almacenamiento.

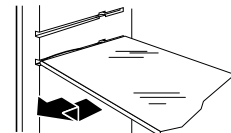
### Estantes de vidrio

#### Para sacar un estante:

1. Saque los artículos del estante.
2. Deslice el estante directamente hacia fuera, hasta el tope.
3. Según el modelo, levante la parte trasera o delantera del estante y traspase el tope. Jale el resto del estante completamente hacia afuera.

#### Para volver a colocar un estante:

1. Deslice la parte trasera del estante en la guía de la pared de la carcasa.
2. Deslice la parte delantera del estante en la guía. Asegúrese de deslizar completamente el estante hacia adentro.



### Estante plegadizo (en algunos modelos)

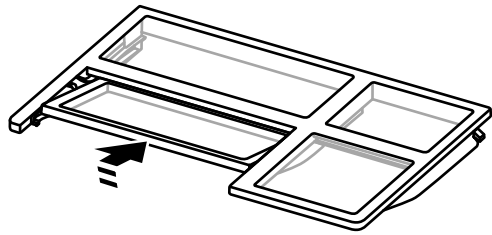
#### Para plegar el estante plegadizo:

- Repliegue la sección plegadiza del estante sosteniendo la parte delantera del mismo con una mano y levantándola sobre el frente central del estante. Luego empuje el estante hacia atrás y hacia abajo hasta que se deslice por debajo de la sección posterior del mismo.



### Para volver a colocar el estante plegadizo:

- Vuelva a colocar la sección plegadiza del estante sosteniendo el frente del mismo con una mano y jalando el centro hasta que la sección plegadiza vuelva a su posición de estante completo.



## Cajón-despensa

### Cajón-despensa

#### Para quitar y volver a colocar el cajón-despensa:

1. Retire el cajón-despensa deslizándolo hacia afuera hasta el tope.
2. Levante la parte delantera del cajón-despensa con una mano mientras sostiene la base del cajón con la otra mano. Deslice el resto del cajón completamente hacia afuera.
3. Vuelva a colocar el cajón deslizándolo nuevamente hacia dentro hasta que pase el tope por completo.

### Cubierta del cajón-despensa

#### Para quitar y volver a colocar la cubierta del cajón-despensa:

1. Quite el cajón-despensa.
2. Con la mano debajo de la cubierta de vidrio, empújela hacia arriba y jálela hacia fuera.
3. Vuelva a colocar la cubierta del cajón-despensa bajándola para que encaje en su lugar.
4. Vuelva a colocar el cajón-despensa.

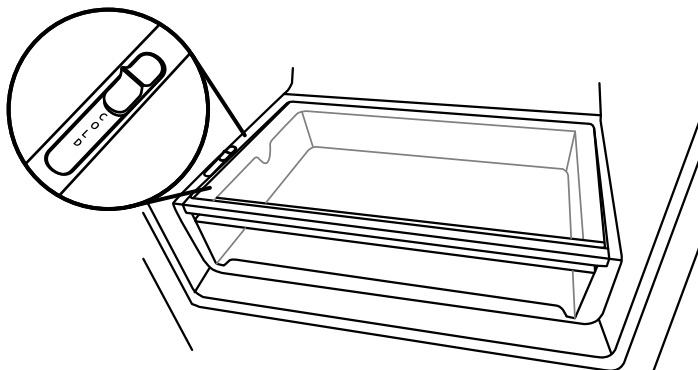
### Control del cajón-despensa

La cantidad de aire que fluye a través del cajón-despensa afecta la temperatura en el interior del mismo.

El control de flujo de aire está ubicado en el lado izquierdo del cajón-despensa.

#### Para regular el flujo de aire:

- Más frío - Deslice el control hacia delante, hacia el frente del cajón-despensa; el flujo de aire está abierto.
- Frío - Deslice el control por completo hacia la parte posterior del cajón-despensa. El flujo de aire está cerrado, como se muestra.

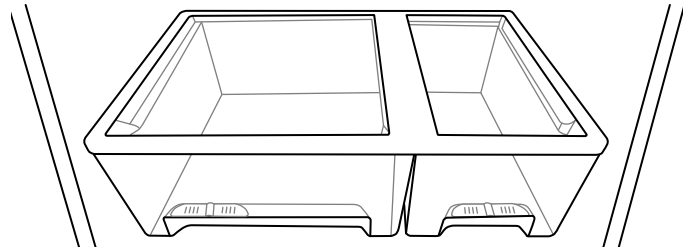


## Cajón para verduras

### Cajones para verduras

#### Para quitar y volver a colocar el cajón para verduras:

1. Deslice el cajón para verduras directamente hacia fuera, hasta el tope. Levante el frente y deslice el cajón hasta que salga.
2. Vuelva a colocar el cajón deslizándolo hacia dentro completamente pasando el tope.



### Cubierta del cajón para verduras

#### Para quitar y volver a colocar la cubierta de vidrio del cajón para verduras:

1. Jale el vidrio en sentido recto hacia afuera.
2. Vuelva a colocar el vidrio empujándolo en sentido recto hacia adentro.

### Control de humedad del cajón para verduras (en algunos modelos)

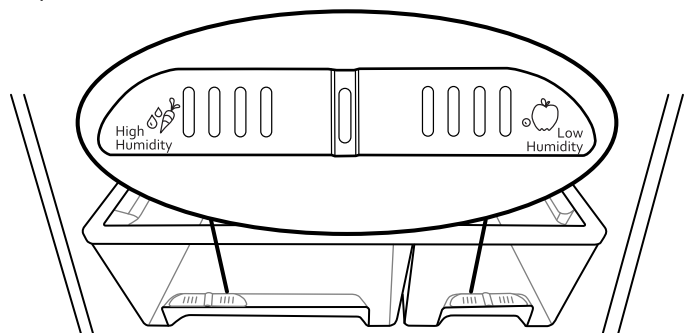
Usted puede controlar el nivel de humedad en el cajón hermético para verduras. Regule el control a cualquier ajuste entre LOW (Bajo) y HIGH (Alto).

LOW (Bajo) (abierto) deja que el aire húmedo salga del cajón para verduras, y es el más adecuado para conservar las frutas y verduras con cáscara.

- Frutas: Lávelas, déjelas secar y guárdelas en el refrigerador en bolsas de plástico o en el cajón para verduras. No lave ni pele las bayas hasta el momento de usarlas. Separe y guarde las frutas del bosque en su recipiente original en el cajón para verduras, o guárdelas sin apretar en una bolsa de papel cerrada en un estante del refrigerador.
- Verduras con cáscaras: Colóquelas en una bolsa de plástico o un recipiente de plástico y guárdelas en el cajón para verduras.

HIGH (Alto) (cerrado) mantiene el aire húmedo en el cajón para verduras, y es el más adecuado para conservar las verduras frescas de hoja.

- Verduras de hoja: Lávelas con agua fría, escúrralas y corte o arranque las partes magulladas o amarillentas. Colóquelas en una bolsa o recipiente de plástico y guárdelas en el cajón para verduras.



---

# CARACTERÍSTICAS DE LA PUERTA

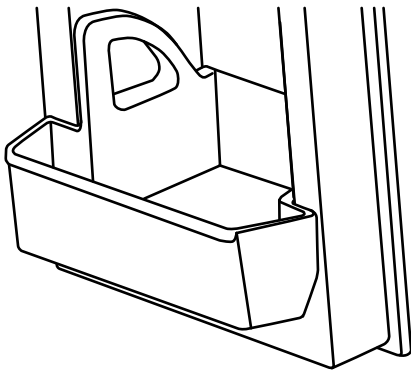
---

**NOTA:** Su modelo podrá contar con algunas o todas estas características.

## Recipientes para condimento

**Para quitar y volver a colocar los recipientes para condimento:**

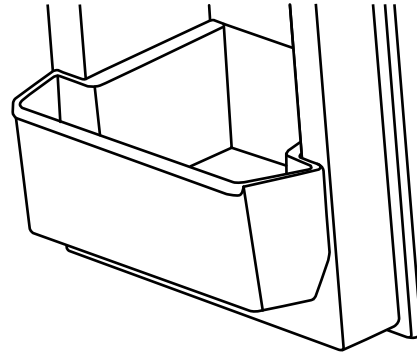
1. Incline el recipiente agarrándolo y jalándolo hacia fuera.
2. Quítelo agarrándolo y levantándolo de las guías.
3. Vuelva a colocar el recipiente deslizándolo nuevamente sobre las guías y empujándolo hasta que se cierre.



## Recipiente de altura media (en algunos modelos)

**Para quitar y volver a colocar el recipiente de altura media:**

1. Incline el recipiente agarrándolo y jalándolo hacia fuera.
2. Quítelo agarrándolo y levantándolo de las guías.
3. Vuelva a colocar el recipiente deslizándolo nuevamente sobre las guías y empujándolo hasta que se cierre.



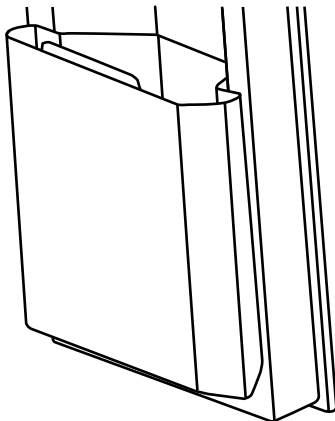
---

## Recipiente para productos frescos

(en algunos modelos)

**Para quitar y volver a colocar el recipiente para productos frescos:**

1. Abra el recipiente agarrando el borde superior central del mismo; incline el recipiente hacia fuera.
2. Saque el recipiente agarrando ambos lados del mismo y levantándolo por encima de las guías.
3. Vuelva a colocar el recipiente deslizándolo nuevamente hasta su posición inclinada sobre las guías y empujándolo hasta que se cierre.



# CUIDADO DE SU REFRIGERADOR

## Limpieza

### ⚠️ ADVERTENCIA



#### Peligro de Explosión

Use un limpiador no inflamable.

No seguir esta instrucción puede ocasionar la muerte, explosión o incendio.

Tanto la sección del refrigerador como la del congelador se descongelan automáticamente. No obstante, limpie ambas secciones más o menos una vez al mes para evitar la acumulación de olores. Limpie los derrames de inmediato.

#### IMPORTANTE:

- Debido a que el aire circula entre ambas secciones, los olores que se formen en una sección pasarán a la otra. Para eliminar los olores, limpie completamente ambas secciones. Para evitar la transferencia de olores y la deshidratación de los alimentos, envuelva o tape bien los alimentos.
- Para los modelos de acero inoxidable, el acero inoxidable es resistente a la corrosión y no a prueba de corrosión. Para ayudar a evitar la corrosión del acero inoxidable, mantenga las superficies limpias, siguiendo las instrucciones de limpieza a continuación.

#### Para limpiar su refrigerador:

**NOTA:** No use productos de limpieza abrasivos o ásperos, como aerosoles para ventanas, productos de limpieza para fregar, líquidos inflamables, ácido muriático, ceras para limpieza, detergentes concentrados, blanqueadores o productos de limpieza que contengan productos derivados del petróleo en las superficies exteriores (puertas y carcasa), las partes de plástico, en el interior y en los revestimientos o juntas de la puerta. No use toallas de papel, estropajos para fregar u otros utensilios de limpieza ásperos.

1. Desenchufe el refrigerador o desconecte el suministro de energía.
2. Lave a mano, enjuague y seque todas las partes desmontables y las superficies interiores meticulosamente. Use una esponja limpia o un paño liso y un detergente suave en agua tibia.
3. Limpie las superficies exteriores.

**Metal pintado:** Limpie el exterior de metal pintado con un paño limpio y liso, o una esponja y un detergente suave en agua tibia. Enjuague las superficies con agua tibia limpia y séquelas inmediatamente para evitar las manchas de agua.

**Acero inoxidable:** Lave las superficies de acero inoxidable con un paño limpio y liso o una esponja y un detergente suave en agua tibia. Enjuague las superficies con agua tibia limpia y séquelas inmediatamente para evitar las manchas de agua.

**NOTA:** Cuando limpie el acero inoxidable, siempre talle en la dirección del hilo para evitar rayar a través del hilo.

4. No es necesaria una limpieza rutinaria del condensador en ambientes de funcionamiento normal en el hogar. Si el ambiente es particularmente grasoso o polvoriento, o si hay bastante tránsito de mascotas en el hogar, el condensador deberá limpiarse cada dos o tres meses para asegurar la máxima eficiencia.

Si necesita limpiar el condensador:

- Quite la rejilla de la base.
- Use una aspiradora con un cepillo suave para limpiar la rejilla, las áreas abiertas detrás de la rejilla y el área de la superficie frontal del condensador.
- Vuelva a colocar la rejilla de la base cuando termine.

5. Enchufe el refrigerador o reconecte el suministro de energía.

## Cómo cambiar los focos

#### IMPORTANTE:

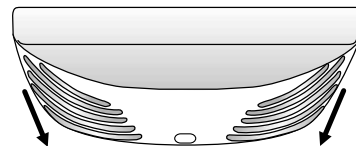
- No todos los focos para electrodomésticos son adecuados para su refrigerador. Asegúrese de reemplazar el foco con otro foco para electrodomésticos del mismo tamaño, forma y vatiaje.
- Para asegurar el desempeño óptimo del refrigerador, reemplace los focos en cuanto se quemen.

#### Luz del compartimiento del refrigerador

La luz ubicada en la parte superior del compartimiento del refrigerador nunca necesita ser reemplazada. Si las luces no se encienden cuando se abre la puerta, llame para solicitar ayuda o servicio técnico. En los EE.UU., llame al **1-800-253-1301**. En Canadá, llame al **1-800-807-6777**.

#### Luz del compartimiento del congelador (en algunos modelos)

1. Desenchufe el refrigerador o desconecte el suministro de energía.
2. Quite la pantalla de la luz (en algunos modelos).
  - Parte superior del compartimiento del congelador - Deslice la pantalla de la luz hacia la parte posterior del compartimiento para liberarla del ensamblaje de luz.




3. Reemplace el foco quemado con un foco o focos para electrodomésticos que no sea de más de 25 vatios.
4. Vuelva a colocar la pantalla de luz.
5. Enchufe el refrigerador o reconecte el suministro de energía.

# SOLUCIÓN DE PROBLEMAS

Pruebe primero las soluciones sugeridas aquí o visite nuestro sitio de internet y consulte “Preguntas que se hacen con frecuencia”, para evitar posiblemente el costo de una visita de servicio técnico.  
En EE.UU., [www.maytag.com](http://www.maytag.com) En Canadá, [www.maytag.ca](http://www.maytag.ca)

## Funcionamiento

**⚠ ADVERTENCIA**



**Peligro de Choque Eléctrico**  
Conecte a un contacto de pared de conexión a tierra de 3 terminales.  
No quite la terminal de conexión a tierra.  
No use un adaptador.  
No use un cable eléctrico de extensión.  
No seguir estas instrucciones puede ocasionar la muerte, incendio o choque eléctrico.

PROBLEMA	CAUSAS POSIBLES	SOLUCIONES
El refrigerador no funciona	Verifique el suministro eléctrico	Conecte el cable eléctrico a un contacto de pared de conexión a tierra de 3 terminales. No use un cable eléctrico de extensión. Asegúrese de que haya corriente en el contacto. Enchufe una lámpara para ver si funciona el enchufe. Reposicione el cortacircuitos si se ha disparado. Reemplace los fusibles que se hayan quemado. <b>NOTA:</b> Si los problemas continúan, contacte a un electricista.
	Revise los controles	Cerciórese de que el enfriamiento esté encendido. Vea “Uso de los controles”.
	Instalación reciente	Deje transcurrir 24 horas después de la instalación para que el refrigerador se enfríe por completo. <b>NOTA:</b> El ajustar los controles de temperatura en la posición más fría no enfriará ningún compartimiento más rápido.

PROBLEMA	CAUSAS POSIBLES	SOLUCIONES
<b>El motor parece funcionar excesivamente</b>	Compresor y ventiladores de alto rendimiento	Esto es normal. Los refrigeradores más grandes y más eficaces funcionan durante un tiempo más prolongado.
	La temperatura ambiente o la temperatura exterior es elevada	Es normal que el refrigerador funcione durante más tiempo bajo estas condiciones. Para un óptimo rendimiento, coloque el refrigerador en un ambiente interior con temperatura controlada. Vea “Requisitos de ubicación”.
	Se ha agregado recientemente una gran cantidad de alimentos calientes	Los alimentos calientes harán que el refrigerador funcione por más tiempo hasta enfriar el aire a la temperatura deseada.
	Se abre(n) la(s) puerta(s) con demasiada frecuencia o por demasiado tiempo	El aire caliente que entra en el refrigerador hace que éste funcione por más tiempo. Abra la puerta con menos frecuencia.
	Está entreabierta la puerta del refrigerador o el cajón del congelador	Asegúrese de que el refrigerador esté nivelado. Vea “Cierre y alineamiento de las puertas”. Evite que los alimentos y los recipientes bloqueen la puerta.
	El control del refrigerador se ha fijado a una temperatura demasiado baja	Regule el control del refrigerador hacia un ajuste menos frío hasta que la temperatura del mismo esté como se desea. Vea “Uso de los controles”.
	Está sucia, gastada o rajada la junta de la puerta o del cajón	Limpie la junta o cámbiela. Las fugas en el sello de la puerta harán que el refrigerador funcione por más tiempo para mantener las temperaturas deseadas.
<b>Las luces no funcionan</b>	Hay un foco flojo o quemado	Apriete el foco o reemplácelo. Vea “Cómo cambiar los focos”.

## Ruido

PROBLEMA	CAUSAS POSIBLES	SOLUCIONES
<b>El refrigerador parece ser ruidoso</b> A continuación se enumeran algunos sonidos normales con explicaciones.	El compresor de su nuevo refrigerador regula la temperatura con más eficacia, a la vez que usa menos energía y funciona silenciosamente. Debido a la reducción en el ruido de funcionamiento, es posible que note más ruidos intermitentes.	
El sonido del compresor dura más tiempo de lo que se esperaba	Compresor y ventiladores de alto rendimiento	Esto es normal. Los refrigeradores más grandes y más eficaces funcionan durante un tiempo más prolongado.
Pulsaciones/Runruneos	Los ventiladores/el compresor se ajustan para mejorar el rendimiento al máximo durante el funcionamiento normal del compresor	Esto es normal
Estallido	Contracción/expansión de las paredes interiores, especialmente durante el enfriamiento inicial	Esto es normal
Sonido sibilante/Goteos	Flujo de refrigerante o flujo de aceite en el compresor	Esto es normal
Vibración	Es posible que el refrigerador no esté estable	Regule los tornillos niveladores y baje la pata niveladora con firmeza contra el piso. Vea “Cierre y alineamiento de las puertas”.
Traqueteo o golpeteo fuerte	Movimiento de las líneas de agua contra la carcasa del refrigerador o artículos colocados sobre la misma	Aleje el exceso de la línea de agua de la carcasa del refrigerador o sujete el exceso de tubería a la carcasa. Vea “Conexión del suministro de agua” o quite los artículos de la parte superior del refrigerador.
Chisporroteos	Agua goteando en el calentador durante el ciclo de descongelación	Esto es normal

PROBLEMA	CAUSAS POSIBLES	SOLUCIONES
Agua corriendo/gorgoteos	Puede escucharse cuando el hielo se derrite durante el ciclo de descongelación y corre hacia la bandeja recolectora	Esto es normal
Zumbido	Se escucha cuando la válvula de agua se abre para llenar la fábrica de hielo	Esto es normal
Chirridos/Crujidos	Pueden escucharse cuando el hielo es expulsado del molde de la fábrica de hielo	Esto es normal
Golpe fuerte	Puede escucharse cuando el hielo cae en el depósito de hielo	Esto es normal

## Temperatura y humedad

PROBLEMA	CAUSAS POSIBLES	SOLUCIONES
<b>La temperatura está demasiado elevada</b>	El refrigerador se ha instalado recientemente	Deje transcurrir 24 horas después de la instalación para que el refrigerador se enfríe por completo.
	Está apagado el enfriamiento	Encienda el enfriamiento. Vea “Uso de los controles”.
	No se han ajustado los controles correctamente de acuerdo con las condiciones circundantes	Ajuste los controles un ajuste más frío. Fíjese en la temperatura en 24 horas. Vea “Uso de los controles”.
	Se abre(n) la(s) puerta(s) a menudo o no se cierra(n) por completo.	Esto hace que entre aire tibio al refrigerador. Reduzca al mínimo el número de veces que abre la puerta y mantenga las puertas completamente cerradas.
	Se ha agregado recientemente una gran cantidad de alimentos	Deje que transcurran varias horas para que el refrigerador vuelva a la temperatura normal.
<b>La temperatura está demasiado baja en el refrigerador/cajón para verduras</b>	Están bloqueados los orificios de aire del refrigerador	Si el orificio de ventilación, ubicado en la esquina superior posterior izquierda del compartimiento del refrigerador, está obstruido con artículos colocados directamente en frente del mismo, la temperatura del refrigerador se pondrá demasiado baja. Aleje los artículos del orificio de ventilación de aire.
	No se han ajustado los controles correctamente de acuerdo con las condiciones circundantes	Ajuste los controles en un ajuste más caliente. Fíjese en la temperatura en 24 horas. Vea “Uso de los controles”.
	El depósito de hielo no está en la posición correcta (en algunos modelos).	Cerciórese de que el depósito de hielo esté ubicado de modo que no bloquee el flujo de aire.
<b>La temperatura está demasiado baja en los cajones-despensa (en algunos modelos)</b>	El control no se ha fijado correctamente para los artículos guardados en el cajón.	Regule el ajuste del control. Vea “Características del refrigerador”.
<b>Hay acumulación de humedad en el interior</b> <b>NOTA:</b> Cierta acumulación de humedad es normal.	La habitación está húmeda	Un ambiente húmedo contribuye a que se acumule la humedad.
	Se abre(n) la(s) puerta(s) a menudo o no se cierra(n) por completo.	Esto hace que entre aire húmedo al refrigerador. Reduzca al mínimo las veces que abre la puerta y cierre las puertas por completo.
	La puerta queda abierta	Aleje los paquetes de alimentos de la puerta.
	Hay un recipiente o un estante bloqueando el paso	Empuje el recipiente o el estante nuevamente a la posición correcta.
	Se está guardando líquido en recipientes abiertos	Esto agrega humedad al interior del refrigerador. Mantenga todos los recipientes bien cerrados.

PROBLEMA	CAUSAS POSIBLES	SOLUCIONES
<b>Hay acumulación de escarcha/hielo en el compartimiento del congelador</b>	Se abren las puertas a menudo o se dejan abiertas	Reduzca al mínimo el número de veces que abre la puerta y mantenga las puertas completamente cerradas.
	Puerta mal sellada	Cerchiórese de que los sellos de la puerta hagan contacto por completo con la carcasa del refrigerador, para permitir que se selle por completo.
	Los controles de temperatura no están fijados correctamente	Consulte "Uso de los controles" para ver los ajustes recomendados de temperatura.

## Hielo y agua

PROBLEMA	CAUSAS POSIBLES	SOLUCIONES
<b>La fábrica de hielo no produce hielo o no produce suficiente hielo (en algunos modelos)</b>	No se ha conectado el refrigerador a un suministro de agua o no se ha abierto la válvula de suministro de agua	Conecte el refrigerador al suministro de agua y abra completamente la válvula de cierre.
	Hay un estrechamiento en la tubería de agua de la casa	Un estrechamiento en la tubería puede reducir el flujo de agua. Enderece la tubería de suministro de agua.
	No se ha encendido la fábrica de hielo	Asegúrese de que la fábrica de hielo esté encendida.
	El refrigerador se ha instalado recientemente	Espere 24 horas después de la instalación de la fábrica de hielo para que empiece a producir hielo. Deje transcurrir 3 días para la producción total de hielo.
	La puerta del refrigerador no está cerrada por completo	Cierre la puerta con firmeza. Si no se cierra completamente, vea "Las puertas no cierran completamente".
	Se acaba de sacar una gran cantidad de hielo	Deje transcurrir 24 horas para que la fábrica de hielo produzca más hielo.
	Se trabó un cubo de hielo en el brazo eyector de la fábrica de hielo	Saque el hielo del brazo eyector con un utensilio de plástico. <b>NOTA:</b> En algunos modelos, presione la palanca que abre la puerta de la fábrica de hielo para tener acceso al brazo eyector.
	Se ha conectado un sistema de filtración de agua de ósmosis inversa al suministro de agua fría	Esto puede hacer que disminuya la presión de agua. Vea "Requisitos del suministro de agua".
<b>Los cubos de hielo son huecos o pequeños (en algunos modelos)</b> <b>NOTA:</b> Esto es una indicación de baja presión de agua.	La válvula de cierre de agua no está abierta por completo	Abra completamente la válvula de cierre de agua.
	Hay un estrechamiento en la tubería de agua de la casa	Un estrechamiento en la tubería puede reducir el flujo de agua. Enderece la tubería de suministro de agua.
	Se ha conectado un sistema de filtración de agua de ósmosis inversa al suministro de agua fría	Esto puede hacer que disminuya la presión de agua. Vea "Requisitos del suministro de agua".
	Aún tiene preguntas acerca de la presión de agua	Llame a un fontanero competente autorizado.

PROBLEMA	CAUSAS POSIBLES	SOLUCIONES
<b>El hielo tiene mal sabor, mal olor o un color grisáceo (en algunos modelos)</b>	Se han instalado o reemplazado recientemente las conexiones de plomería. Las conexiones nuevas de plomería pueden producir hielo o agua descoloridos o de mal sabor.	Deseche el hielo y lave el depósito de hielo. Deje que transcurran 24 horas para que la fábrica de hielo haga hielo nuevo y descarte las 3 primeras tandas de hielo producido.
	Se ha guardado el hielo por demasiado tiempo	Deseche ese hielo. Lave el depósito de hielo. Deje transcurrir 24 horas para que la fábrica de hielo haga hielo nuevo.
	Se ha transferido al hielo el olor de los alimentos guardados	Use recipientes herméticos contra humedad para almacenar comida.
	El agua contiene minerales (como el azufre)	Podría ser necesario instalar un filtro de agua para eliminar los minerales.
<b>Hay fugas de agua en la parte trasera del refrigerador</b>	Las conexiones de la línea de agua no se ajustaron por completo.	Vea "Conexión del suministro de agua".
	Se sacaron las puertas recientemente y no se ajustó por completo la conexión de la línea de agua	Vea "Cómo sacar y volver a colocar las puertas y el frente del cajón del refrigerador".

## Puertas



PROBLEMA	CAUSAS POSIBLES	SOLUCIONES
<b>La(s) puerta(s) o el cajón tapa no se cierra(n) completamente</b>	La puerta o el cajón queda abierta/o debido a un bloqueo	Aleje los paquetes de alimentos de la(s) puerta(s). Saque el hielo u otro artículo que pudiera haberse caído en la base del compartimiento del congelador.
	Hay un recipiente o un estante bloqueando el paso	Empuje el recipiente o el estante nuevamente a la posición correcta.
	Instalación reciente	Quite todos los materiales de empaque.
<b>Es difícil abrir las puertas</b>	Las juntas de la puerta están sucias o pegajosas.	Limpie las juntas y las superficies de contacto con jabón suave y agua tibia. Enjuague y seque con un paño suave.
<b>Las puertas parecen estar desaparejas</b>	Se debe alinear las puertas o nivelarse el refrigerador.	Vea "Cierre y alineamiento de las puertas".
<b>Las puertas no se abren ni se cierran como se esperaba</b>	La inclinación del refrigerador necesita ajustarse.	Regule la inclinación del refrigerador. Vea "Cierre y alineamiento de las puertas".



---

# GARANTÍA LIMITADA DE LOS PRODUCTOS DE REFRIGERACIÓN MAYTAG®

---

## GARANTÍA LIMITADA DURANTE EL PRIMER AÑO (PIEZAS Y MANO DE OBRA)

Durante un año a partir de la fecha de compra, siempre y cuando este electrodoméstico principal haya sido instalado, operado y mantenido de conformidad con las instrucciones adjuntas o provistas con el producto, la marca Maytag de Whirlpool Corporation o Whirlpool Canada, LP (en lo sucesivo denominada "Maytag") pagará por el costo de las piezas de repuesto especificadas de fábrica y del trabajo de reparación para corregir defectos en los materiales o en la mano de obra, existentes en el momento de la compra de este electrodoméstico principal.

## GARANTÍA LIMITADA DEL SEGUNDO AL DÉCIMO AÑO (SÓLO PARA EL COMPRESOR - NO SE INCLUYE LA MANO DE OBRA)

Desde el segundo al décimo año desde la fecha de compra original, siempre y cuando este electrodoméstico principal haya sido instalado, operado y mantenido de conformidad con las instrucciones adjuntas o provistas con el producto, Maytag pagará por un compresor de repuesto especificado de fábrica para corregir defectos no estéticos en los materiales o en la mano de obra que tenga esta pieza, los cuales eviten el funcionamiento del refrigerador, y que hayan existido en el momento de la compra de este electrodoméstico principal. Esta garantía limitada de 10 años es solamente para el compresor y no incluye la mano de obra.

SU ÚNICO Y EXCLUSIVO RECURSO SEGÚN LOS TÉRMINOS DE LA GARANTÍA LIMITADA SERÁ EL DE REPARAR EL PRODUCTO SEGÚN SE ESTIPULA EN LA PRESENTE. El servicio deberá ser suministrado por una compañía de servicio designada por Maytag. Esta garantía limitada es válida en Estados Unidos o en Canadá y se aplica solamente cuando el electrodoméstico principal se use en el país en el que se ha comprado. Esta garantía limitada entrará en vigor a partir de la fecha de la compra del consumidor original. Se requiere una prueba de la fecha de compra original para obtener servicio bajo esta garantía limitada.

---

## EXCLUSIONES DE LA GARANTÍA

### Esta garantía limitada no cubre:

1. Piezas de repuesto o mano de obra si este electrodoméstico principal se usa de un modo diferente al doméstico normal de una familia, o cuando se use de un modo contrario a las instrucciones publicadas para el usuario u operador y/o las instrucciones de instalación.
  2. Visitas de servicio técnico para corregir la instalación de su electrodoméstico principal, para enseñarle a usar su electrodoméstico principal, para cambiar o reparar fusibles domésticos o para corregir la instalación eléctrica o de la tubería de la casa.
  3. Visitas de servicio técnico para reparar o reemplazar focos para electrodomésticos, filtros de aire o filtros de agua. Las piezas de consumo están excluidas de la cobertura de la garantía.
  4. Daños causados por accidente, alteración, uso indebido, abuso, incendio, inundación, actos fortuitos, instalación incorrecta, instalación que no esté de acuerdo con los códigos eléctricos o de plomería, o el empleo de productos no aprobados por Maytag.
  5. Daños estéticos, incluyendo rayaduras, abolladuras, desportilladuras u otro daño al acabado de su electrodoméstico principal, a menos que el mismo sea debido a defectos en los materiales o la mano de obra y se le informe a Maytag en un lapso de 30 días a partir de la fecha de compra.
  6. Cualquier pérdida de comida o medicamentos debido a fallas del refrigerador o del congelador.
  7. Recogida y entrega. Este electrodoméstico principal se ha destinado para ser reparado en el hogar.
  8. Reparaciones de piezas o sistemas como resultado de modificaciones no autorizadas que se hayan efectuado en el electrodoméstico.
  9. Gastos de viaje y transporte para obtener servicio para el producto, si su electrodoméstico principal está ubicado en un lugar remoto en el cual no haya disponible un técnico de servicio autorizado por Maytag.
  10. La remoción y reinstalación de su electrodoméstico principal, si estuviera instalado en un lugar inaccesible o si no estuviera instalado de conformidad con las instrucciones de instalación publicadas por Maytag.
  11. Piezas de repuesto o mano de obra en electrodomésticos principales con números de modelo/serie originales que se hayan removido, alterado o que no puedan ser identificados con facilidad.
  12. Decoloración, herrumbre u oxidación de las superficies de acero inoxidable.
- 

## EXCLUSIÓN DE GARANTÍAS IMPLÍCITAS

LAS GARANTÍAS IMPLÍCITAS, INCLUYENDO CUALQUIER GARANTÍA IMPLÍCITA DE COMERCIABILIDAD O GARANTÍA IMPLÍCITA DE CAPACIDAD PARA UN PROPÓSITO PARTICULAR, SERÁN LIMITADAS A UN AÑO O AL PERÍODO MÁS CORTO PERMITIDO POR LEY. Algunos estados y provincias no permiten la limitación de la duración de garantías implícitas de comerciabilidad o aptitud, de modo que la limitación arriba indicada quizás no le corresponda. Esta garantía le otorga derechos legales específicos, y es posible que usted tenga también otros derechos que varían de un estado a otro o de una provincia a otra.

---

## LIMITACIÓN DE RECURSOS; EXCLUSIÓN DE DAÑOS INCIDENTALES O CONSECUENTES

SU ÚNICO Y EXCLUSIVO RECURSO SEGÚN LOS TÉRMINOS DE ESTA GARANTÍA LIMITADA SERÁ EL DE REPARAR EL PRODUCTO SEGÚN SE ESTIPULA EN LA PRESENTE. MAYTAG NO SE RESPONSABILIZARÁ POR DAÑOS INCIDENTALES O CONSECUENTES. Algunos estados y provincias no permiten la exclusión o limitación de daños incidentales o consecuentes, de modo que estas limitaciones y exclusiones quizás no le correspondan. Esta garantía le otorga derechos legales específicos, y es posible que usted tenga también otros derechos que varían de un estado a otro o de una provincia a otra.

---

Si usted se encuentra fuera de los cincuenta Estados Unidos y Canadá, póngase en contacto con su distribuidor autorizado de Maytag para determinar si corresponde otra garantía.

---

Para obtener información adicional acerca de su producto, en EE.UU. visite **www.maytag.com**.

En Canadá, visite **www.maytag.ca**.

Si usted no tiene acceso a internet y necesita ayuda para usar su producto, o si quisiera hacer una cita para obtener servicio, puede ponerse en contacto con Maytag, en el número que se indica a continuación.

*Tenga listo su número de modelo completo. Puede encontrar el número de modelo y de serie en la etiqueta ubicada en la pared interior del compartimiento del refrigerador.*

Si necesita ayuda o servicio técnico, en EE.UU., llame al 1-800-688-9900. En Canadá, llame al 1-800-807-6777.

Si necesita asistencia adicional, puede escribir a Maytag con sus preguntas o dudas a la dirección que aparece a continuación:

En los EE.UU.:

Maytag Brand Home Appliances  
Customer eXperience Center  
553 Benson Road  
Benton Harbor, MI 49022-2692

En Canadá:

Maytag Brand Home Appliances  
Customer eXperience Centre  
200 – 6750 Century Ave.  
Mississauga, Ontario L5N 0B7

Por favor incluya en su correspondencia un número de teléfono en el que se le pueda localizar durante el día.

Sírvase guardar todas las instrucciones provistas y la información con el número de modelo, para referencia futura.



# INSTRUCTIONS D'UTILISATION DU RÉFRIGÉRATEUR

Nous vous REMERCIONS d'avoir acheté ce produit de haute qualité. Si vous rencontrez un problème non mentionné dans la section DÉPANNAGE ou RÉOLUTION DE PROBLÈMES, veuillez visiter notre site Web [www.maytag.com](http://www.maytag.com) pour des informations supplémentaires. Si vous avez toujours besoin d'assistance, veuillez nous téléphoner au 1-800-688-9900. Au Canada, visitez notre site Web [www.maytag.ca](http://www.maytag.ca) ou téléphonez-nous au 1-800-807-6777.

Vous aurez besoin de vos numéros de modèle et de série situés sur la paroi interne du compartiment de réfrigération.

## SÉCURITÉ DU RÉFRIGÉRATEUR

### Votre sécurité et celle des autres est très importante.

Nous donnons de nombreux messages de sécurité importants dans ce manuel et sur votre appareil ménager. Assurez-vous de toujours lire tous les messages de sécurité et de vous y conformer.



Voici le symbole d'alerte de sécurité.

Ce symbole d'alerte de sécurité vous signale les dangers potentiels de décès et de blessures graves à vous et à d'autres.

Tous les messages de sécurité suivront le symbole d'alerte de sécurité et le mot "DANGER" ou "AVERTISSEMENT". Ces mots signifient :

**⚠ DANGER**

**Risque possible de décès ou de blessure grave si vous ne suivez pas immédiatement les instructions.**

**⚠ AVERTISSEMENT**

**Risque possible de décès ou de blessure grave si vous ne suivez pas les instructions.**

Tous les messages de sécurité vous diront quel est le danger potentiel et vous disent comment réduire le risque de blessure et ce qui peut se produire en cas de non-respect des instructions.

### IMPORTANTES INSTRUCTIONS DE SÉCURITÉ

**AVERTISSEMENT :** Pour réduire les risques d'incendie, de choc électrique ou des blessures lors de l'utilisation du réfrigérateur, prendre quelques précautions fondamentales, y compris les suivantes :

- Brancher l'appareil sur une prise à 3 alvéoles reliée à la terre.
- Ne pas enlever la broche de liaison à la terre.
- Ne pas utiliser un adaptateur.
- Ne pas utiliser un câble de rallonge.
- Débrancher la source de courant électrique avant l'entretien.
- Replacer pièces et panneaux avant de faire la remise en marche.
- Enlever les portes de votre vieux réfrigérateur.
- Utiliser un produit de nettoyage ininflammable.
- Garder les matériaux et les vapeurs inflammables, telle que l'essence, loin du réfrigérateur.
- Utiliser deux ou plus de personnes pour déplacer et installer le réfrigérateur.
- Débrancher le réfrigérateur avant l'installation de la machine à glaçons (seulement pour modèles prêts à recevoir une machine à glaçons).
- Utiliser un verre robuste pour prendre des glaçons (sur certains modèles).
- Ne pas heurter les portes en verre du réfrigérateur (sur certains modèles).

**CONSERVEZ CES INSTRUCTIONS**

Avertissements de la proposition 65 de l'État de Californie :

AVERTISSEMENT : Ce produit contient au moins un produit chimique connu par l'État de Californie pour être à l'origine de cancers.

AVERTISSEMENT : Ce produit contient au moins un produit chimique connu par l'État de Californie pour être à l'origine de malformations et autres déficiences de naissance.

## Mise au rebut adéquate de votre vieux réfrigérateur

### **⚠ AVERTISSEMENT**

**Risque de suffoquer**

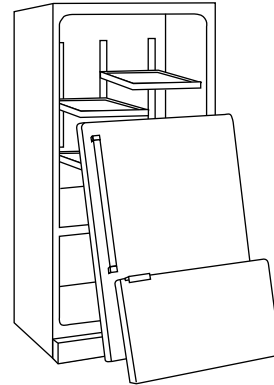
Enlever les portes de votre vieux réfrigérateur.

Le non-respect de cette instruction peut causer un décès ou des lésions cérébrales.

**IMPORTANT :** L'emprisonnement et l'étouffement des enfants ne sont pas un problème du passé. Les réfrigérateurs jetés ou abandonnés sont encore dangereux, même s'ils sont laissés abandonnés pendant "quelques jours seulement". Si vous vous débarrassez de votre vieux réfrigérateur, veuillez suivre les instructions suivantes pour aider à éviter les accidents.

### Avant de jeter votre vieux réfrigérateur ou congélateur :

- Enlever les portes.
- Laisser les tablettes en place de sorte que les enfants ne puissent pas y pénétrer facilement.



### Renseignements importants à propos de la mise au rebut des fluides réfrigérants :

Mettre le réfrigérateur au rebut conformément à la réglementation fédérale et locale. Les fluides réfrigérants doivent être évacués par un technicien certifié et agréé par l'EPA conformément aux procédures établies.

# INSTRUCTIONS D'INSTALLATION

## Déballage du réfrigérateur

### **⚠ AVERTISSEMENT**

**Risque du poids excessif**

Utiliser deux ou plus de personnes pour déplacer et installer le réfrigérateur.

Le non-respect de cette instruction peut causer une blessure au dos ou d'autre blessure.

### Déplacement de votre réfrigérateur :

Votre réfrigérateur est lourd. Lors du déplacement de votre réfrigérateur pour le nettoyage ou un entretien ou réparation, veiller à recouvrir le plancher avec du carton ou un panneau de fibres dures pour éviter qu'il ne subisse tout dommage. Toujours tirer le réfrigérateur tout droit lors de son déplacement. Ne pas incliner le réfrigérateur d'un côté ou de l'autre ni le "faire marcher" en essayant de le déplacer car le plancher pourrait être endommagé.

### Dépose des matériaux d'emballage

- Enlever tout résidu de ruban adhésif et de colle des surfaces du réfrigérateur avant de le mettre en marche. Frotter une petite quantité de savon liquide pour la vaisselle sur l'adhésif avec les doigts. Rincer à l'eau tiède et essuyer.
- Ne pas utiliser d'instruments coupants, d'alcool à friction, de liquides inflammables ou de nettoyants abrasifs pour enlever le ruban adhésif ou la colle. Ces produits peuvent endommager la surface de votre réfrigérateur. Pour plus de renseignements, voir "Sécurité du réfrigérateur".
- Jeter ou recycler tous les matériaux d'emballage.

### Nettoyage avant l'utilisation

Après avoir enlevé tous les matériaux d'emballage, nettoyer l'intérieur du réfrigérateur avant de l'utiliser. Voir les instructions de nettoyage dans "Entretien du réfrigérateur".

### Importants renseignements à savoir au sujet des tablettes et des couvercles en verre :

Ne pas nettoyer les tablettes ou couvercles en verre avec de l'eau tiède quand ils sont froids. Les tablettes et les couvercles peuvent se briser s'ils sont exposés à des changements soudains de température ou à un impact tel que coup brusque. Le verre trempé est conçu pour éclater en d'innombrables pièces minuscules. Ceci est normal. Les tablettes et les couvercles en verre sont lourds. Les saisir à deux mains lors de leur dépose afin d'éviter de les faire tomber.

## Exigences d'emplacement

### ⚠ AVERTISSEMENT



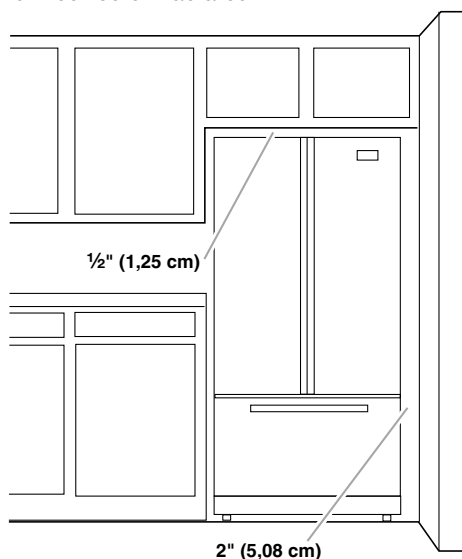
#### Risque d'explosion

**Garder les matériaux et les vapeurs inflammables, telle que l'essence, loin du réfrigérateur.**

**Le non-respect de cette instruction peut causer un décès, une explosion ou un incendie.**

Pour assurer une ventilation convenable à votre réfrigérateur, laisser un espace de ½" (1,25 cm) au-dessus et de chaque côté du réfrigérateur. Laisser un espace de 1" (2,54 cm) derrière le réfrigérateur. Si votre réfrigérateur comporte une machine à glaçons, s'assurer qu'un espace additionnel est prévu à l'arrière pour permettre les connexions des conduites d'eau. En cas d'installation du réfrigérateur près d'un mur fixe, laisser un minimum de 2" (5,08 cm) entre le réfrigérateur et le mur pour permettre l'ouverture de la porte.

**REMARQUE :** Ce réfrigérateur est conçu pour être utilisé dans un endroit où la température est comprise entre un minimum de 55°F (13°C) et un maximum de 110°F (43°C). La plage de température ambiante idéale pour une performance optimale est comprise entre 60°F (15°C) et 90°F (32°C). Il est recommandé de ne pas installer le réfrigérateur près d'une quelconque source de chaleur, tel un four ou un radiateur.



## Retrait et réinstallation des portes du réfrigérateur et de l'avant du tiroir

En fonction de la largeur de l'ouverture de la porte, il faudra peut-être retirer les portes du réfrigérateur pour pouvoir introduire le réfrigérateur dans le domicile.

### IMPORTANT :

- Si le réfrigérateur était déjà installé et que vous souhaitez le déplacer hors de votre domicile, effectuer d'abord les opérations suivantes : tourner la commande du réfrigérateur sur OFF (arrêt) et débrancher le réfrigérateur ou déconnecter la source de courant électrique. Retirer les aliments et tout balconnet réglable ou compartiment utilitaire des portes du réfrigérateur.
- Laisser les portes du réfrigérateur fermées jusqu'à ce que vous soyez prêt à les détacher de la caisse. Prévoir un support supplémentaire pour la porte du réfrigérateur pendant le retrait des charnières. La force d'attraction des aimants de la porte ne suffit pas à la maintenir en place pendant la manutention.
- Toutes les illustrations mentionnées dans les instructions suivantes sont incluses plus loin dans cette section après "Étapes finales".

**OUTILLAGE REQUIS :** Clés à douille à tête hexagonale de 5/16", 3/8" et 1/4", tournevis Phillips n° 2, et un tournevis à lame plate.

### Démontage – Portes et charnières

### ⚠ AVERTISSEMENT



#### Risque de choc électrique

**Déconnecter la source de courant électrique avant d'enlever les portes.**

**Le non-respect de cette instruction peut causer un décès ou un choc électrique.**

1. Débrancher le réfrigérateur ou déconnecter la source de courant électrique.
2. Retirer la grille de la base. Saisir la grille fermement et la tirer vers soi.
3. En commençant par la porte du côté droit, ôter les pièces de la charnière supérieure – voir l'illustration de la charnière supérieure. Soulever la porte du réfrigérateur de l'axe de la charnière inférieure.
4. Ôter le bouchon d'obturation d'axe de charnière de l'axe de la charnière inférieure et le conserver pour utilisation ultérieure. Voir l'illustration de la charnière inférieure.
5. Enlever le bouchon d'obturation de la charnière supérieure sur le côté gauche de la porte du réfrigérateur.
6. Enlever les pièces de la charnière supérieure tel qu'indiqué à l'illustration de la charnière supérieure. Soulever la porte du côté gauche de l'axe de la charnière inférieure.

**REMARQUE :** Sur certains modèles, retirer le bouchon d'obturation d'axe de charnière de l'axe de la charnière inférieure et le conserver pour utilisation ultérieure. Voir l'illustration de la charnière inférieure.

## Réinstallation – Portes et charnières

1. Assembler les pièces des charnières supérieures tel qu'indiqué à l'illustration de la charnière supérieure. Ne pas complètement serrer les vis.
2. Réinstaller les pièces pour la charnière inférieure tel qu'indiqué sur l'illustration de la charnière inférieure. Resserrer les vis. Replacer la porte du réfrigérateur.  
**REMARQUE :** Prévoir un support supplémentaire de la porte du réfrigérateur pendant le déplacement des charnières. La force d'attraction des aimants de la porte ne suffit pas à la maintenir en place pendant la manutention.
3. Aligner la porte de façon à ce que le bas des portes du réfrigérateur soit bien aligné avec le sommet du tiroir de congélation. Serrer toutes les vis.
4. Réinstaller les couvercles de la charnière supérieure.

## Retrait et réinstallation de l'avant du tiroir de congélation

**IMPORTANT :** Il faudra peut-être deux personnes pour retirer et réinstaller le tiroir de congélation. Les illustrations sont incluses plus loin dans cette section.

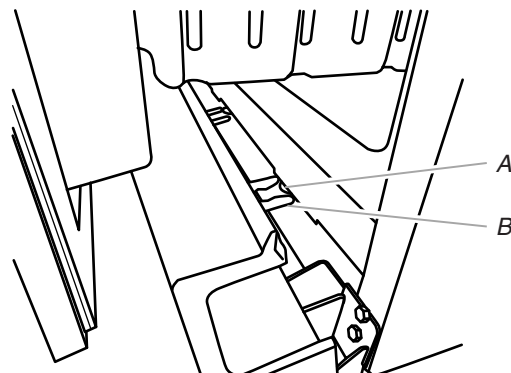
### Retrait de l'avant du tiroir :

1. Ouvrir le tiroir du congélateur complètement.
2. Desserrer les quatre vis fixant les glissières de tiroir à l'avant du tiroir. Voir l'illustration du retrait de l'avant du tiroir.  
**REMARQUE :** Desserrer les vis de trois à quatre tours. Garder les vis dans l'avant du tiroir.
3. Soulever l'avant du tiroir vers le haut et le dégager des vis. Voir l'illustration du retrait de l'avant du tiroir.
4. Le système de nivellement/roulettes du réfrigérateur dépasse de chaque côté de la base de la caisse. Retirer les trois vis fixant chaque système de nivellement et retirer les pièces de nivellement. Voir l'illustration du système de nivellement/roulettes.

### Réinstallation de l'avant du tiroir :

1. Aligner le système de nivellement/roulettes avec les trous situés de chaque côté de la caisse du réfrigérateur. À l'aide des vis retirées, réinstaller les pièces de nivellement à la base de la caisse. Serrer complètement les vis.
2. Retirer les glissières de tiroir du compartiment de congélation en les faisant glisser. Insérer les vis du sommet de l'avant du tiroir dans les fentes des supports du tiroir. Voir l'illustration de réinstallation de l'avant du tiroir.
3. Tirer les deux supports de tiroir vers soi pour positionner les deux vis du fond de l'avant du tiroir dans les supports et serrer complètement les quatre vis. Voir l'illustration de réinstallation de l'avant du tiroir.

4. Réinstaller la grille de la base.
  - Ouvrir le tiroir du congélateur.
  - Aligner les trois attaches à l'arrière de la grille de la base avec les trois onglets à la base du réfrigérateur.
  - Pousser la grille vers le réfrigérateur jusqu'à ce qu'elle soit bien installée.



A. Onglet  
B. Attache

## Étapes finales

### ⚠ AVERTISSEMENT



#### Risque de choc électrique

**Brancher sur une prise à 3 alvéoles reliée à la terre.**

**Ne pas enlever la broche de liaison à la terre.**

**Ne pas utiliser un adaptateur.**

**Ne pas utiliser un câble de rallonge.**

**Le non-respect de ces instructions peut causer un décès, un incendie ou un choc électrique.**

1. Brancher l'appareil sur une prise à 3 alvéoles reliée à la terre.
2. Réinstaller toutes les pièces amovibles dans les portes et le tiroir et remettre les aliments dans le réfrigérateur et le congélateur.



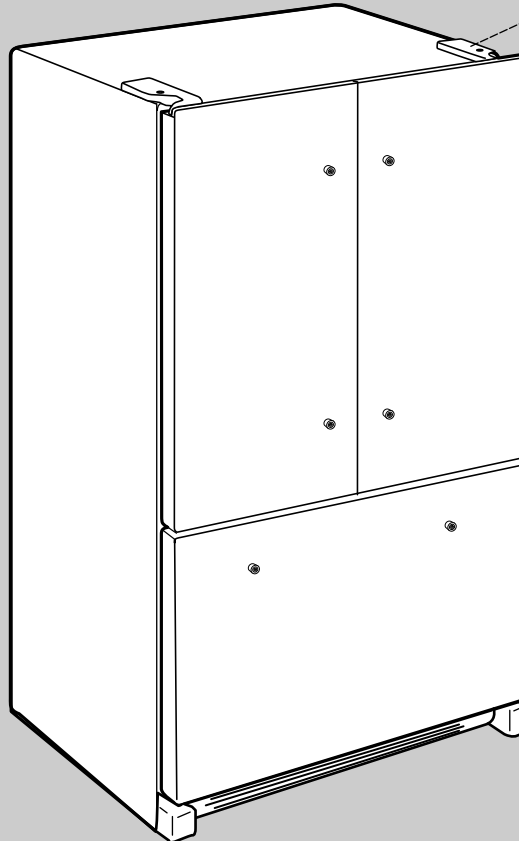
# ⚠ AVERTISSEMENT

Risque de choc électrique

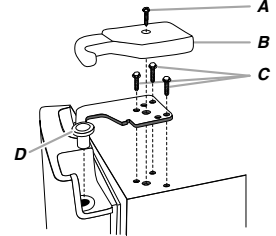
Déconnecter la source de courant électrique avant d'enlever les portes.

Le non-respect de cette instruction peut causer un décès ou un choc électrique.

## Enlèvement et réinstallation de la porte

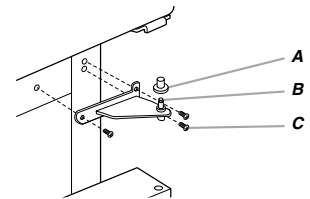


### Charnières supérieures



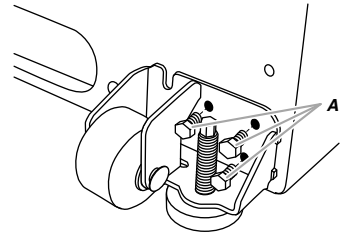
- A. Vis du cache de la charnière
- B. Cache de la charnière supérieure
- C. Vis de charnière à tête hexagonale de  $\frac{5}{16}$ "
- D. Charnière supérieure

### Charnières inférieures



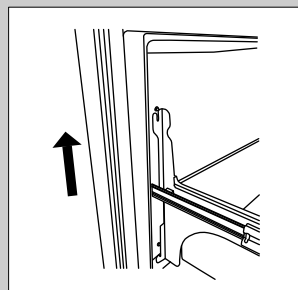
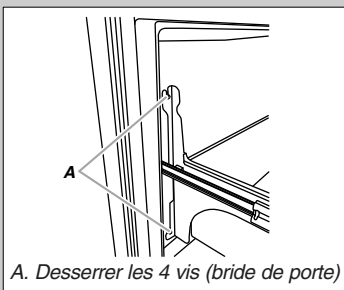
- A. Couvercle de l'axe de la charnière
- B. Charnière inférieure
- C. Vis de charnière

### Le système de nivellement/roulettes

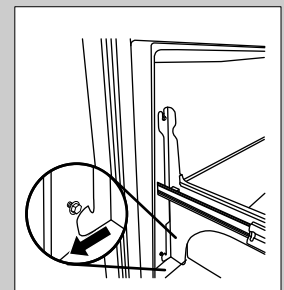
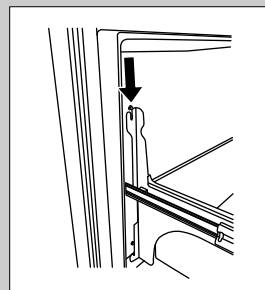


- A. Vis de système

## Dépose de la façade du tiroir



## Réinstallation de la façade du tiroir





## Spécifications électriques

### **⚠ AVERTISSEMENT**



#### Risque de choc électrique

**Brancher sur une prise à 3 alvéoles reliée à la terre.**

**Ne pas enlever la broche de liaison à la terre.**

**Ne pas utiliser un adaptateur.**

**Ne pas utiliser un câble de rallonge.**

**Le non-respect de ces instructions peut causer un décès, un incendie ou un choc électrique.**

Avant de placer le réfrigérateur à son emplacement final, il est important de vous assurer d'avoir la connexion électrique appropriée.

#### Méthode recommandée de mise à la terre

Une source d'alimentation de 115 volts, 60 Hz, type 15 ou 20 ampères CA seulement, protégée par fusibles et adéquatement mise à la terre est nécessaire. Il est recommandé d'utiliser un circuit distinct pour alimenter uniquement votre réfrigérateur. Utiliser une prise murale qui ne peut pas être mise hors circuit à l'aide d'un commutateur. Ne pas utiliser de câble de rallonge.

**REMARQUE :** Avant d'exécuter tout type d'installation, nettoyage ou remplacement d'une ampoule d'éclairage, désactiver le refroidissement, et déconnecter ensuite le réfrigérateur de la source d'alimentation électrique. Lorsque l'on a terminé, reconnecter le réfrigérateur à la source d'alimentation électrique et réactiver le refroidissement. Voir "Utilisation de la/ des commande(s)".

## Spécifications de l'alimentation en eau

Une alimentation en eau froide avec une pression comprise entre 30 et 120 lb/po<sup>2</sup> (207 et 827 kPa) est nécessaire pour faire fonctionner le distributeur d'eau et la machine à glaçons. Si vous avez des questions au sujet de la pression de votre eau, faire appel à un plombier qualifié agréé.

#### Alimentation en eau par osmose inverse

**IMPORTANT :** La pression de l'alimentation en eau sortant du système d'osmose inverse et entrant dans le robinet d'arrivée d'eau du réfrigérateur doit être comprise entre 30 et 120 lb/po<sup>2</sup> (207 et 827 kPa).

Si un système de filtration de l'eau par osmose inverse est raccordé à votre alimentation en eau froide, la pression de l'eau au système d'osmose inverse doit être d'un minimum de 40 à 60 lb/po<sup>2</sup> (276 à 414 kPa).

Si la pression de l'eau au système d'osmose inverse est inférieure à 40 à 60 lb/po<sup>2</sup> (276 à 414 kPa) :

- Vérifier si le filtre à sédiment dans le système à osmose inverse n'est pas obstrué. Remplacer le filtre si nécessaire.

- Laisser le réservoir du système d'osmose inverse se remplir après une utilisation intense. La capacité du réservoir est peut-être trop faible pour répondre aux spécifications du réfrigérateur.
- Si votre réfrigérateur comporte un filtre à eau, celui-ci peut réduire la pression de l'eau lorsqu'il est utilisé avec un système d'osmose inverse. Enlever le filtre à eau. Voir "Système de filtration de l'eau".

Si vous avez des questions au sujet de la pression de votre eau, faire appel à un plombier qualifié agréé.

## Raccordement à l'alimentation en eau

Lire toutes les instructions avant de commencer.

#### IMPORTANT :

- Toutes les installations doivent être conformes aux exigences des codes locaux de plomberie.
- Utiliser un tuyau en cuivre ou une conduite d'alimentation Whirlpool, pièce numéro 8212547RP, et vérifier l'absence de fuites.
- Installer seulement des tuyaux en cuivre là où les températures resteront au-dessus du point de congélation.

#### OUTILLAGE REQUIS :

Rassembler les outils et pièces nécessaires avant d'entreprendre l'installation. Lire et observer les instructions fournies avec chacun des outils de la liste ci-dessous.

- Tournevis à lame plate
- Tourne-écrou de ¼"
- Clés plates ou deux clés à molette de 7/16" et ½"
- Foret de ¼"
- Perceuse sans fil

**REMARQUE :** Votre marchand de réfrigérateurs dispose d'une trousse disponible avec un robinet d'arrêt à étrier de ¼" (6,35 mm), un raccord et un tube en cuivre. Avant de faire un achat, s'assurer que le robinet d'arrêt à étrier est conforme aux codes locaux de plomberie. Ne pas employer de robinet d'arrêt à étrier de 3/16" (4,76 mm) ou de type à percer - ils réduisent le débit d'eau et s'obstruent plus facilement.

## Raccordement à la canalisation d'eau

#### Style 1

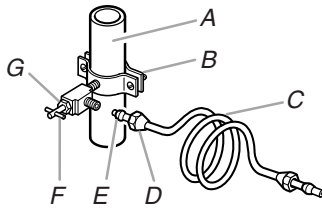
1. Débrancher le réfrigérateur ou déconnecter la source de courant électrique.
2. FERMER le robinet principal d'alimentation en eau. OUVRIRE le robinet le plus proche pendant une période suffisante pour purger toute l'eau de la canalisation.
3. Identifier une canalisation d'eau froide verticale de ½" à 1¼" (1,25 cm à 3,18 cm) à proximité du réfrigérateur.

#### IMPORTANT :

- Vérifier qu'il s'agit d'une canalisation d'eau froide.
  - On peut aussi utiliser une canalisation horizontale; dans ce cas, on devra percer sur la face supérieure du tuyau et non pas au-dessous. Ceci permet de tenir la perceuse à l'écart de l'eau et d'empêcher les sédiments qu'on trouve normalement dans l'eau de s'accumuler dans le robinet d'arrêt.
4. Déterminer la longueur de tube de cuivre à utiliser. Mesurer depuis le point de connexion (angle inférieur arrière gauche du réfrigérateur) et la canalisation d'eau. Ajouter 7 pi (2,1 m) pour permettre les opérations de nettoyage. Utiliser un tube en cuivre de ¼" (6,35 mm) de diamètre extérieur. Veiller à ce que le tube soit coupé d'équerre aux deux extrémités.



5. À l'aide d'une perceuse électrique sans fil, percer un trou de 1/4" (6,35 mm) dans la canalisation d'eau froide choisie.



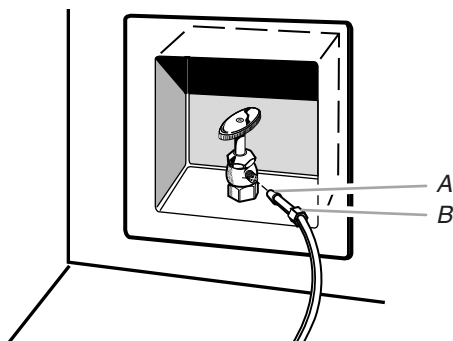
A. Canalisation d'eau froide  
B. Bride de tuyau  
C. Tube en cuivre  
D. Écrou de compression  
E. Bague de compression  
F. Robinet d'arrêt  
G. Écrou de serrage

6. Fixer le robinet d'arrêt sur la canalisation d'eau froide avec la bride de tuyau. Vérifier que l'extrémité du raccord du robinet est bien engagée dans le trou de 1/4" (6,35 mm) percé dans la canalisation et que la rondelle d'étanchéité se trouve sous la bride du tuyau. Serrer l'écrou de serrage. Serrer lentement et uniformément les vis fixant la bride de tuyau sur le tuyau afin d'assurer l'étanchéité du joint. Ne pas serrer excessivement car ceci pourrait provoquer l'écrasement du tube en cuivre.
7. Enfiler la bague et l'écrou de compression sur le tube en cuivre tel qu'illustré. Insérer l'extrémité du tube directement dans l'extrémité de sortie, aussi loin que possible. Visser l'écrou de compression sur l'extrémité de sortie du raccord à l'aide d'une clé à molette. Ne pas serrer excessivement.
8. Placer le bout libre du tube dans un contenant ou évier et OUVRIER le robinet principal d'alimentation en eau. Laisser l'eau s'écouler par le tube jusqu'à ce qu'elle soit limpide. FERMER le robinet principal d'alimentation en eau. Lover le tube de cuivre.

### Style 2

- Débrancher le réfrigérateur ou déconnecter la source de courant électrique.
- Retirer et jeter le bouchon en nylon noir du tuyau d'eau gris à l'arrière du réfrigérateur.
- Visser l'écrou fourni sur le robinet d'eau tel qu'illustré.

**REMARQUE :** Serrer l'écrou manuellement. Ensuite le serrer deux tours de plus avec une clé. Ne pas serrer excessivement.



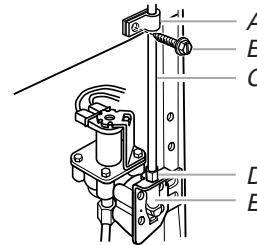
A. Renflement  
B. Écrou (fourni)

- OUVRIR le robinet d'arrêt.
- Vérifier qu'il n'y a pas de fuites. Serrer tous les raccords (y compris les raccords du robinet) ou les écrous qui présentent des fuites.

## Raccordement au réfrigérateur

### Style 1

- Débrancher le réfrigérateur ou déconnecter la source de courant électrique.
- Raccorder le tube de cuivre au robinet d'arrivée d'eau à l'aide d'un écrou et d'une bague de compression, tel qu'illustré. Serrer l'écrou de compression. Ne pas serrer excessivement.
- Utiliser la bride du tube à l'arrière du réfrigérateur pour fixer le tube au réfrigérateur tel qu'illustré. Ceci aide à éviter d'endommager le tube lorsque le réfrigérateur est poussé contre le mur.
- OUVRIR le robinet d'arrêt.
- Vérifier qu'il n'y a pas de fuites. Serrer tous les raccords (y compris les raccords du robinet) ou les écrous qui présentent des fuites.



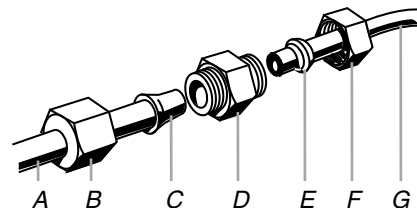
A. Bride de tube  
B. Vis de bride de tuyau  
C. Tube en cuivre  
D. Écrou de compression  
E. Orifice d'arrivée d'eau

- Sur les modèles qui en sont équipés, la machine à glaçons comporte un filtre à eau incorporé. Si les caractéristiques de l'eau requièrent un second filtre à eau, installer celui-ci dans la canalisation d'eau de 1/4" (6,35 mm) à l'une ou l'autre des extrémités du tube. Se procurer un filtre à eau auprès de votre marchand d'appareils ménagers le plus proche.

### Style 2

- Débrancher le réfrigérateur ou déconnecter la source de courant électrique.
- Retirer et jeter le bouchon en nylon noir du tuyau d'eau gris à l'arrière du réfrigérateur.
- Si le tuyau d'eau gris fourni avec le réfrigérateur n'est pas assez long, un raccord de 1/4" x 1/4" (6,35 mm x 6,35 mm) est nécessaire pour raccorder le tuyau à la canalisation d'eau du domicile. Enfiler l'écrou fourni sur le raccord à l'extrémité du tube de cuivre.

**REMARQUE :** Serrer l'écrou manuellement. Ensuite le serrer deux tours de plus avec une clé. Ne pas serrer excessivement.



A. Tuyau d'eau du réfrigérateur  
B. Écrou (fourni)  
C. Renflement  
D. Raccord (fourni)  
E. Virole (à acheter)  
F. Écrou (à acheter)  
G. Canalisation du domicile

- OUVRIR le robinet d'arrêt.
- Vérifier qu'il n'y a pas de fuites. Serrer tous les raccords (y compris les raccords du robinet) ou les écrous qui présentent des fuites.

## Achever l'installation

# ⚠️ AVERTISSEMENT



### Risque de choc électrique

Brancher sur une prise à 3 alvéoles reliée à la terre.

Ne pas enlever la broche de liaison à la terre.

Ne pas utiliser un adaptateur.

Ne pas utiliser un câble de rallonge.

Le non-respect de ces instructions peut causer un décès, un incendie ou un choc électrique.

1. Brancher la fiche sur une prise de courant à 3 alvéoles, reliée à la terre.

### REMARQUES :

- Prévoir un délai de 24 heures pour la production du premier lot de glaçons. Jeter les trois premiers lots de glaçons produits. Prévoir un délai de 3 jours pour le remplissage complet du récipient à glaçons.
- Pour les modèles dotés d'un distributeur d'eau, purger le système de distribution d'eau. Voir "Distributeur d'eau".

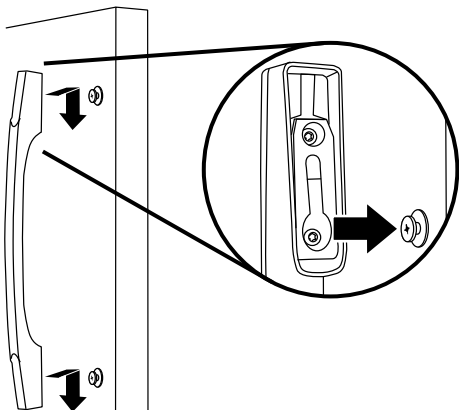
## Installation de la poignée

Pièces fournies : Poignées (3)

### Installation des poignées de porte

1. Retirer les poignées de l'emballage à l'intérieur du réfrigérateur.  
**REMARQUE :** Afin d'éviter d'endommager les poignées, les placer sur une serviette ou une autre surface souple.
2. Positionner les trous de serrure dans la poignée au-dessus des vis à épaulement (pré-montées sur la porte). Appliquer une pression ferme sur la poignée pour la faire glisser sur les vis à épaulement.

**REMARQUE :** Ne pas pousser la poignée vers la porte; ceci peut endommager la porte. Pousser uniquement vers le bas.

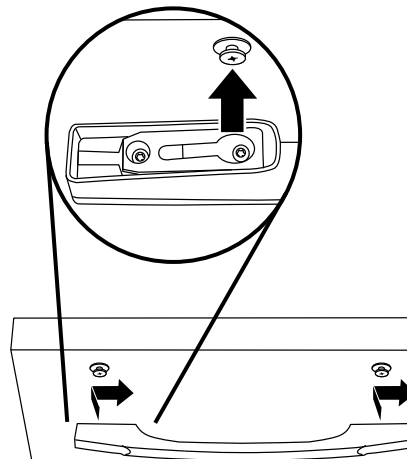


3. Répéter les étapes précédentes pour installer la poignée de porte adjacente.

### Installation de la poignée du tiroir

1. Positionner les trous de serrure dans la poignée au-dessus des vis à épaulement (pré-montées sur le tiroir). Faire glisser fermement la poignée vers la droite pour engager complètement les vis à épaulement dans les trous de serrure.

**REMARQUE :** Ne pas pousser la poignée vers le tiroir; ceci peut endommager le tiroir.



2. Conserver toutes les instructions.

### Démontage des poignées

#### Porte du réfrigérateur

- Soulever la poignée directement vers le haut et l'extraire de la porte.
- Si nécessaire, retirer les vis à épaulement de la porte avec un tournevis Phillips.

#### Tiroir du congélateur

- Faire glisser la poignée vers la gauche pour dégager le trou de serrure des vis à épaulement et le retirer du tiroir.
- Si nécessaire, retirer les vis à épaulement du tiroir avec un tournevis Phillips.

## Fermeture et alignement de la porte

**IMPORTANT :** Afin de rester en conformité avec les directives du American Disabilities Act (ADA), rétracter complètement les roulettes à l'intérieur de la caisse du réfrigérateur pour abaisser le réfrigérateur.

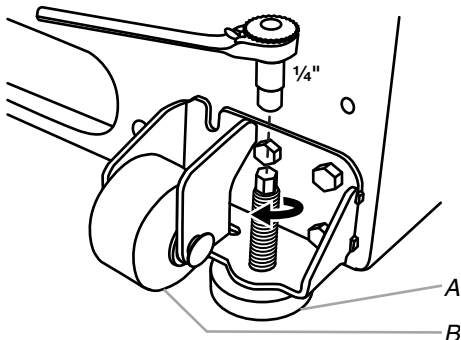
### Fermeture de la porte

La grille de la base recouvre les vis de nivellement et les roulettes situées au bas de la caisse du réfrigérateur, sous le tiroir du compartiment de congélation. Avant de réaliser les ajustements, retirer la grille de la base et déplacer le réfrigérateur à son emplacement définitif.

1. Retirer la grille de la base. Saisir la grille fermement et la tirer vers soi.
2. Déplacer le réfrigérateur jusqu'à sa position de service finale.  
**REMARQUE :** Afin que le réfrigérateur puisse rouler plus facilement, soulever les pieds de nivellement en tournant les vis de nivellement dans le sens antihoraire. Les roulettes avant toucheront le plancher.

3. Afin que les portes ferment plus facilement, utiliser un tourne-écrou à tête hexagonale de 1/4" pour tourner les vis de nivellement dans le sens horaire. Ce réglage soulèvera légèrement l'avant du réfrigérateur et l'inclinera ainsi légèrement sur sa partie arrière. Régler les deux vis de nivellement à la même hauteur.

**REMARQUE :** Le fait d'exercer une pression sur le dessus du réfrigérateur permet d'alléger le poids appliqué aux vis de nivellement. Ceci facilite le réglage des vis.

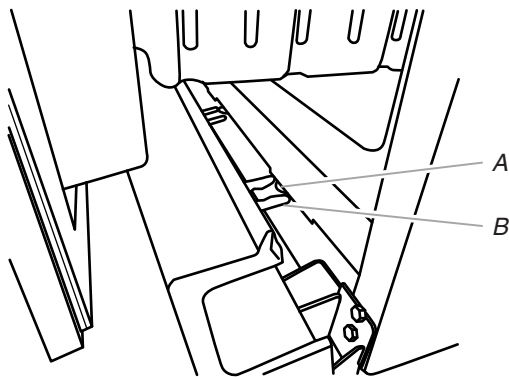


A. Vis de nivellement  
B. Roulette avant

4. Ouvrir à nouveau les deux portes et vérifier que leur fermeture est aussi aisée que désiré. Si ce n'est pas le cas, incliner le réfrigérateur un peu plus vers l'arrière en tournant les deux vis de nivellement vers la droite. Cela peut nécessiter plusieurs tours supplémentaires.

**REMARQUE :** Pour que le réfrigérateur reste d'aplomb, il faut appliquer le même nombre de tours aux deux vis de nivellement.

5. Réinstaller la grille de la base.
- Ouvrir le tiroir du congélateur.
  - Aligner les trois attaches à l'arrière de la grille de la base avec les trois onglets à la base du réfrigérateur.
  - Pousser la grille de la base vers le réfrigérateur jusqu'à ce qu'elle soit bien installée.



A. Onglet  
B. Attache

## Alignement des portes

Si l'espace entre les portes du réfrigérateur et le tiroir de congélation semble inégal, on peut l'ajuster en suivant les instructions suivantes :

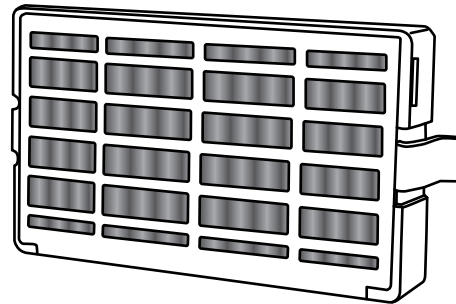
1. Ôter le couvre-charnière supérieur.
2. Desserrer les vis de la charnière supérieure en utilisant une douille de 5/16" ou une clé à molette.
3. Demander à une personne de tenir la porte en place ou placer un espaceur entre les portes et le tiroir.
4. Serrer les vis de la charnière supérieure une fois que la porte est en place à l'emplacement souhaité.
5. Réinstaller le couvre-charnière supérieur.

# FILTRES ET ACCESSOIRES

## Installation du filtre à air (sur certains modèles)

Le filtre à air réduit l'accumulation d'odeurs. Ceci aide à maintenir un environnement plus propre à l'intérieur du réfrigérateur.

Sur certains modèles, le sachet d'accessoires du réfrigérateur comprend un filtre à air qui doit être installé avant d'utiliser le réfrigérateur. Sur certains modèles, le filtre à air est préinstallé à l'usine.



## Installation du filtre à air

Le filtre doit être installé derrière la porte à aérations, située le long de la paroi intérieure arrière du compartiment de réfrigération.

1. Retirer le filtre à air de son emballage.
- REMARQUE :** Un témoin de statut du filtre à air est fourni avec le filtre à air. Le témoin n'est pas nécessaire pour les modèles qui affichent le statut du filtre à air sur le tableau de commande.
2. Ouvrir la porte à aérations en la soulevant.
  3. Emboîter le filtre pour le mettre en place.

## Témoin lumineux de l'état du filtre à air

Le tableau de commande affiche le statut du filtre à air.

- GOOD (bon) - L'icône du filtre à air sur le tableau de commande s'allume en BLEU.
- ORDER replacement (commander un filtre de rechange) - L'icône du filtre à air sur le tableau de commande s'allume en JAUNE.

- **REPLACE** air filter (remplacer le filtre à air) - L'icône du filtre à air sur le tableau de commande s'allume en ROUGE et "Replace Filter" (remplacer le filtre) apparaît.
- **EXPIRED** (usé) - L'icône du filtre à air sur le tableau de commande s'allume en ROUGE et "Replace Filter" (remplacer le filtre) clignote sur l'affichage du tableau de commande.

Après avoir remplacé le filtre à air, appuyer sur le bouton AIR FILTER (filtre à air) pendant 3 secondes. Les icônes du filtre s'éteindront. Voir "Utilisation de la/des commande(s)". Lorsque l'on réinitialise le système, l'icône du filtre à air reprend sa couleur BLEUE et les mots "Replace Filter" (remplacer le filtre) disparaissent de l'affichage.

**REMARQUE :** Quel que soit le statut du filtre, appuyer sur le bouton AIR FILTER pendant 3 secondes pour réinitialiser le statut du filtre à air et le ramener à "Good" (bon) - l'icône du filtre à air s'éteindra ensuite.

### Remplacement du filtre à air

Le filtre à air jetable doit être remplacé tous les 6 mois ou lorsque l'icône du témoin du filtre à air s'allume et commence à clignoter lorsqu'on ouvre la porte du réfrigérateur.

Pour commander un filtre à air de rechange, nous contacter. Voir "Accessoires".

1. Retirer l'ancien filtre à air en serrant les onglets latéraux.
2. Installer le filtre à air neuf et réinitialiser le témoin à l'aide des instructions de la section précédente.

## Installation du conservateur pour produits frais (sur certains modèles)

Le sachet d'accessoires comprend deux sachets de conservation pour produits frais qui doivent être installés dans un bac à légumes avant d'être utilisés.

**REMARQUE :** Pour une performance idéale, toujours utiliser deux sachets.

Le sachet de conservation pour produits frais absorbe l'éthylène, permettant ainsi un ralentissement du processus de maturation de nombreux produits frais. Ainsi, la fraîcheur de certains produits frais est prolongée.

La production d'éthylène et la sensibilité des produits à l'éthylène varie selon le type de fruit ou de légume. Afin de préserver la fraîcheur, il est préférable de séparer les produits frais sensibles à l'éthylène des fruits produisant des quantités d'éthylène modérées à élevées.

	Production d'éthylène			
	Très basse	Basse	Élevée	Très élevée
Sensibilité à l'éthylène				
Élevée	Brocoli Laitue Épinards			Pommes Poires
Moy.	Asperges Agrumes		Melon brodé	
Basse	Carottes Raisin	Baies		

### Installation du conservateur pour produits frais

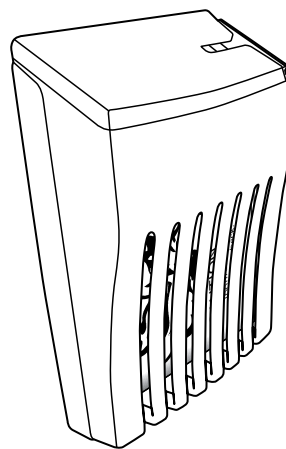
#### ATTENTION : IRRITANT

PEUT IRRITER LES YEUX ET LA PEAU. DÉGAGE DES ÉMANATIONS DANGEREUSES LORSQUE MÉLANGÉ AVEC D'AUTRES PRODUITS.

Ne pas mélanger avec d'autres agents de nettoyage tels que l'ammoniaque, un agent de blanchiment ou des acides. Éviter tout contact avec les yeux, la peau ou les vêtements. Ne pas respirer les poussières. Tenir hors de la portée des enfants.

**PREMIERS SOINS :** Contient du permanganate de potassium. En cas d'ingestion, appeler immédiatement un centre antipoison ou un médecin. Ne pas provoquer le vomissement. En cas de contact avec les yeux, rincer avec de l'eau pendant 15 minutes. En cas de contact avec la peau, bien rincer avec de l'eau.

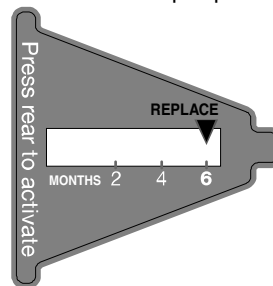
Les sachets de conservation pour produits frais doivent être installés dans leur logement, situé le long de la paroi d'un des bacs à légumes.



1. Retirer les sachets de conservation pour produits frais FreshFlow™ de leur emballage.
2. Soulever le logement pour l'extraire de la languette de montage.
3. Ouvrir le logement en soulevant l'arrière du sommet du logement pour l'extraire.
4. Placer les deux sachets à l'intérieur du logement puis emboîter les deux parties du logement pour le refermer.
5. Réinstaller le logement sur la languette de montage.

### Installation du témoin

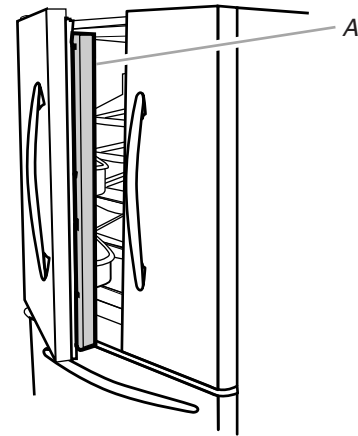
Le conservateur pour produits frais comporte un témoin qui doit être activé et installé en même temps que les sachets.



1. Orienter le témoin vers le bas en le plaçant sur une surface ferme et plane.
2. Appliquer une pression sur la bulle située à l'arrière du témoin jusqu'à ce que la bulle éclate – ceci active le témoin.

- Ouvrir le couvercle au sommet du logement du sachet de conservation pour produits frais en le faisant coulisser.
- Placer le témoin sur le sommet du logement en l'orientant vers l'extérieur.
- Fermer le couvercle en le faisant coulisser et vérifier que le témoin est visible à travers le trou rectangulaire du couvercle.

**REMARQUE :** Le couvercle ne se fermera pas facilement si la bulle du témoin lumineux n'a pas éclaté.



A. Joint à charnière

### Remplacement du sachet de conservation pour produits frais

Les sachets jetables doivent être remplacés tous les 6 mois, lorsque le témoin est entièrement passé du blanc au rouge.

Pour commander des sachets de rechange, nous contacter. Voir "Accessoires" pour des renseignements sur le processus de commande.

- Retirer les sachets usagés du logement du conservateur pour produits frais.
- Retirer le témoin usagé.
- Installer les sachets et le témoin neufs en suivant les instructions des sections précédentes.

### Accessoires

Les accessoires de réfrigérateur suivants sont disponibles. Pour commander, nous contacter et demander les numéros de pièces.

Aux É.-U., consulter notre page Web [www.maytag.com/accessories](http://www.maytag.com/accessories) ou composer le 1-800-901-2042.

Au Canada, consulter notre page Web [www.whirlpoolparts.ca](http://www.whirlpoolparts.ca) ou composer le 1-800-807-6777.

#### Nettoyant et poli pour acier inoxydable affresh® :

Aux É.-U., commander la pièce numéro W10355016  
Au Canada, commander la pièce numéro W10355016B

#### Lingettes pour acier inoxydable affresh® :

Aux É.-U., commander la pièce numéro W10355049  
Au Canada, commander la pièce numéro W10355049B

#### Nettoyant pour appareil ménager et cuisine affresh® :

Aux É.-U., commander la pièce numéro W10355010  
Au Canada, commander la pièce numéro W10355010B

#### Filtre à air :

Commander la pièce numéro W10311524 ou AIR1

#### Conservateur pour produits frais :

Commander la pièce numéro W10346771A ou FRESH1

## UTILISATION DU RÉFRIGÉRATEUR

### Ouverture et fermeture des portes

Il y a deux portes pour le compartiment de réfrigération. Les portes peuvent être ouvertes et fermées séparément ou ensemble.

Il y a sur la porte de gauche du réfrigérateur un joint à charnière verticale.

- Lors de l'ouverture de la porte du côté gauche, le joint à charnière se replie automatiquement vers l'intérieur pour qu'il n'y ait pas d'interférence.
- Lorsque les deux portes sont fermées, le joint à charnière assure automatiquement l'étanchéité entre les deux portes.

### Utilisation des commandes

#### IMPORTANT :

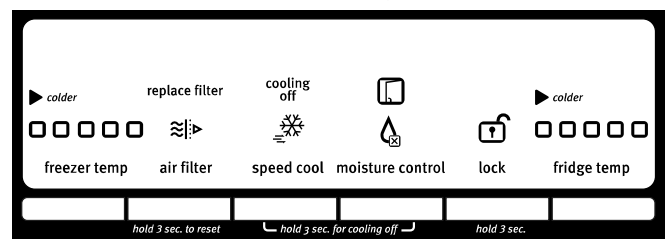
- Attendre 24 heures pour que le réfrigérateur refroidisse complètement avant d'y placer des aliments. Si on ajoute des aliments avant que le réfrigérateur ne soit complètement refroidi, les aliments risquent de s'abîmer.

**REMARQUE :** Le fait d'ajuster les commandes de température du réfrigérateur et du congélateur à un réglage plus froid que le réglage recommandé ne refroidira pas les compartiments plus rapidement.

- Le réglage recommandé doit être correct pour une utilisation domestique normale du réfrigérateur. Les réglages sont faits correctement lorsque le lait ou le jus sont aussi froids que vous l'aimez et lorsque la crème glacée est ferme.
- Si la température est trop tiède ou trop froide dans le réfrigérateur ou le congélateur, inspecter d'abord les événements pour s'assurer qu'ils ne sont pas bloqués, avant de régler les commandes.

### Tableau de commande

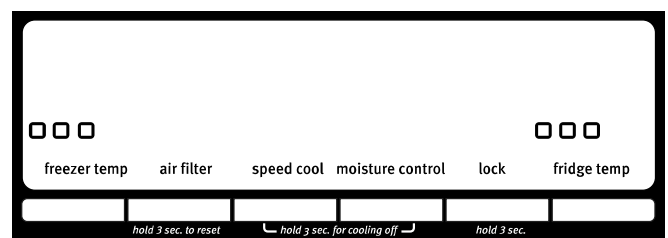
Le réfrigérateur comporte un tableau de commande interne situé au sommet du compartiment de réfrigération.



### Contrôle de la température

Pour votre commodité, la commande de température est pré-réglée à l'usine. Lors de l'installation initiale du réfrigérateur, s'assurer que la commande est encore pré-réglée au point de réglage recommandé tel qu'illustré.

#### Réglage recommandé "3 carrés allumés"





## Ajustement des commandes

Pour ajuster la température du compartiment de réfrigération ou de congélation, utiliser les réglages indiqués dans le tableau suivant comme guide.

- Appuyer sur le bouton TEMP pour afficher le nombre de carrés souhaité (entre 1 carré [réglage le moins froid] et 5 carrés [réglage le plus froid]).

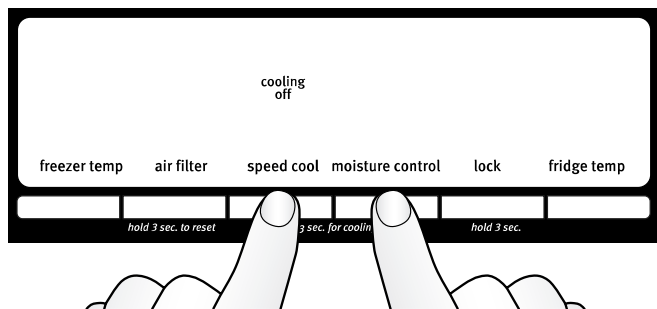
**REMARQUE :** Ne pas ajuster les commandes de plus d'un réglage à la fois, sauf lors de la mise en marche du réfrigérateur. Attendre 24 heures entre les réglages pour que la température puisse se stabiliser.

CONDITION/RAISON :	AJUSTEMENT :
RÉFRIGÉRATEUR trop tiède	TEMPÉRATURE DU RÉFRIGÉRATEUR un carré supplémentaire
CONGÉLATEUR trop tiède/trop peu de glaçons	TEMPÉRATURE DU CONGÉLATEUR un carré supplémentaire
RÉFRIGÉRATEUR trop froid	TEMPÉRATURE DU RÉFRIGÉRATEUR un carré en moins
CONGÉLATEUR trop froid	CONGÉLATEUR un carré en moins

## Mise en marche/arrêt du refroidissement

Ni le réfrigérateur, ni le congélateur ne refroidiront lorsque le refroidissement est désactivé.

- Pour désactiver le refroidissement, appuyer simultanément sur les boutons SPEED COOL (refroidissement accéléré) et MOISTURE CONTROL (contrôle de l'humidité) pendant 3 secondes. Lorsque le refroidissement est désactivé, l'icône de refroidissement désactivé apparaît sur l'affichage.
- Pour réactiver le refroidissement, appuyer simultanément sur les boutons SPEED COOL (refroidissement accéléré) et MOISTURE CONTROL (contrôle de l'humidité) pendant 3 secondes. Lorsque le refroidissement est activé, l'icône de refroidissement désactivé disparaît et les réglages précédemment sélectionnés s'affichent.



## Caractéristiques supplémentaires

### Alarme de porte ouverte

- L'icône de porte ouverte s'allume chaque fois que l'on ouvre une porte.



- Si l'on ouvre une porte pendant 5 minutes et que le refroidissement est activé, un signal sonore retentit trois fois et l'icône de porte ouverte clignote sept fois. Cette séquence se répète toutes les 2 minutes jusqu'à ce que toutes les portes soient bien fermées. Cette caractéristique se réinitialise et se réactive ensuite si l'une des portes est de nouveau laissée ouverte pendant 5 minutes.

### REMARQUES :

- Pour que l'alarme sonore cesse de retentir tout en gardant les portes ouvertes, comme lors du nettoyage de l'intérieur du réfrigérateur, appuyer sur n'importe quel bouton sur le tableau de commande. Le son de l'alarme est temporairement supprimé, mais l'icône de porte ouverte reste affichée sur le tableau de commande du distributeur.
- Les deux portes doivent être complètement fermées pour que l'icône de porte ouverte s'éteigne.

### Speed Cool (refroidissement accéléré)

La caractéristique Speed Cool (refroidissement accéléré) est utile lors de périodes d'utilisation intense du réfrigérateur, de l'ajout d'un grand nombre d'aliments ou de l'élévation temporaire de la température de la pièce.

- Appuyer sur la touche SPEED COOL (refroidissement accéléré) pour régler le congélateur et le réfrigérateur aux réglages de température les plus bas. Appuyer de nouveau sur SPEED COOL pour retourner au point de réglage de température sélectionné.

### REMARQUES :

- L'icône de Speed Cool s'allume lorsque le réfrigérateur est au mode Speed Cool.
- La caractéristique Speed Cool s'éteint automatiquement au bout de 24 heures.



### Moisture Control (contrôle de l'humidité)

La caractéristique de contrôle de l'humidité met en marche un dispositif de chauffage pour aider à réduire l'humidité sur le joint de la charnière de porte. À utiliser dans des environnements humides ou en cas d'observation d'humidité sur le joint de la charnière de porte. Le réfrigérateur consomme plus d'énergie lorsque la commande de contrôle d'humidité est activée.

- Pour activer la caractéristique de commande de contrôle d'humidité, appuyer sur MOISTURE CONTROL (contrôle de l'humidité) pendant 3 secondes.
- Pour désactiver la caractéristique de commande de contrôle d'humidité, appuyer sur MOISTURE CONTROL (contrôle de l'humidité) pendant 3 secondes.



### Témoin lumineux et réinitialisation du filtre à air

La commande de réinitialisation du filtre permet de réinitialiser la caractéristique de suivi du statut du filtre à air chaque fois que l'on change le filtre à air. Voir "Installation du filtre à air".

- Appuyer sur AIR FILTER (filtre à air) pendant 3 secondes pour réinitialiser le statut du filtre à air et le ramener à Good (bon). L'icône du filtre à air vire alors au bleu.



## Verrouillage du tableau de commande

Il est possible de verrouiller le tableau de commande pour éviter des changements involontaires de réglages.

**REMARQUE :** La caractéristique de verrouillage n'interrompt pas l'alimentation électrique au réfrigérateur. Elle désactive simplement les commandes.

- Appuyer sur LOCK (verrouillage) pendant 3 secondes pour verrouiller les commandes. L'icône de verrouillage s'allume quand le tableau de commande est verrouillé.
- Appuyer de nouveau sur LOCK (verrouillage) pendant 3 secondes pour déverrouiller les commandes.



# CARACTÉRISTIQUES DU RÉFRIGÉRATEUR

**REMARQUE :** Votre modèle peut comporter toutes les caractéristiques suivantes ou seulement certaines d'entre elles.

### Importants renseignements à savoir au sujet des tablettes et des couvercles en verre :

Ne pas nettoyer les tablettes ou couvercles en verre avec de l'eau tiède quand ils sont froids. Les tablettes et les couvercles peuvent se briser s'ils sont exposés à des changements soudains de température ou à un impact tel que coup brusque. Le verre trempé est conçu pour éclater en d'innombrables pièces minuscules. Ceci est normal. Les tablettes et les couvercles en verre sont lourds. Les saisir à deux mains lors de leur dépose afin d'éviter de les faire tomber.

## Tablettes du réfrigérateur

Les tablettes de réfrigérateur sont réglables pour s'adapter à vos propres besoins de rangement.

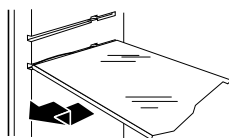
### Tablettes en verre

#### Pour retirer une tablette :

1. Retirer les articles de la tablette.
2. Retirer la tablette en la faisant glisser tout droit jusqu'à la butée.
3. Selon votre modèle, soulever l'arrière ou l'avant de la tablette en la retirant au-delà de la butée. Retirer complètement la tablette.

#### Pour réinstaller une tablette :

1. Réinstaller l'arrière de la tablette en la faisant glisser dans la rainure de la paroi de la caisse.
2. Guider l'avant de la tablette dans la rainure de tablette. Veiller à insérer complètement la tablette.



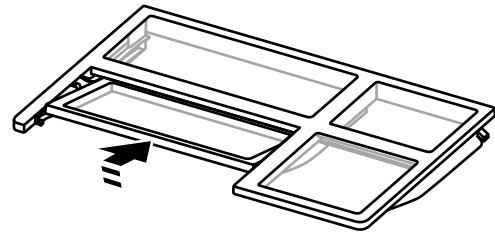
## Tablette escamotable (sur certains modèles)

#### Pour rétracter la tablette escamotable :

- Rétracter la section escamotable de la tablette en maintenant l'avant de la tablette d'une main et en soulevant la partie centrale avant de la tablette. Repousser ensuite la tablette vers l'arrière tout en appuyant dessus jusqu'à ce qu'elle coulisse en-dessous de la section arrière de la tablette.

#### Réinstallation de la tablette escamotable :

- Réinstaller la section escamotable de la tablette en maintenant l'avant de la tablette d'une main tout en tirant sur le centre de la tablette jusqu'à ce que la section escamotable soit de nouveau complètement déployée.



## Garde-manger

### Garde-manger

#### Pour retirer et réinstaller le garde-manger :

1. Faire glisser le tiroir du garde-manger jusqu'à la butée.
2. Soulever l'avant du tiroir du garde-manger d'une main tout en soutenant la partie inférieure du tiroir de l'autre. Faire glisser le tiroir complètement vers l'extérieur.
3. Réinstaller le tiroir en le réinsérant complètement au-delà de la butée.

### Couvercle du garde-manger

#### Retrait et réinstallation du couvercle du garde-manger :

1. Retirer le tiroir du garde-manger.
2. Soulever le couvercle en verre par en-dessous et le retirer.
3. Réinstaller le couvercle du garde-manger en l'abaissant.
4. Réinstaller le tiroir du garde-manger.



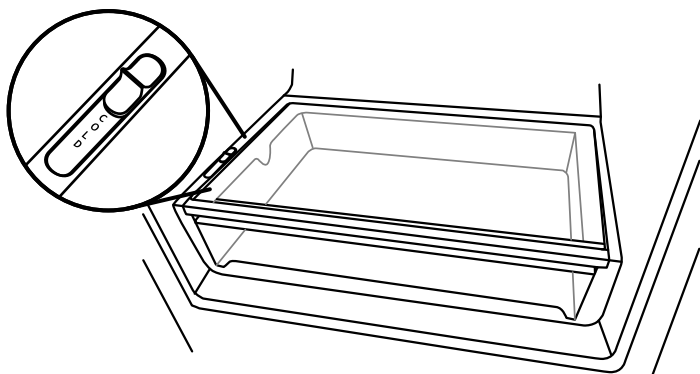
## Commande du garde-manger

La quantité d'air circulant dans le garde-manger affecte la température de l'intérieur du tiroir.

La commande de flux d'air se trouve sur le côté gauche du garde-manger.

### Ajustement du flux d'air :

- Plus froid - Faire coulisser la commande vers l'avant du garde-manger pour ouvrir la circulation d'air.
- Froid - Faire coulisser la commande complètement vers l'arrière du garde-manger. Cela referme la circulation d'air - voir l'illustration.

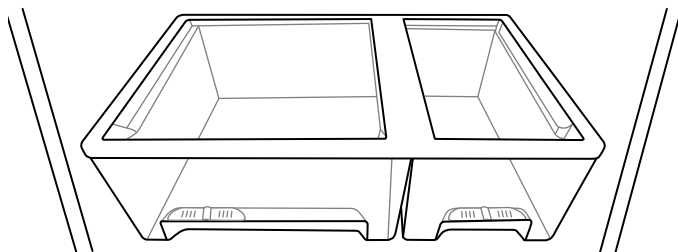


## Bac à légumes

### Bacs à légumes

#### Retrait et réinstallation du bac à légumes :

1. Extraire le bac à légumes en le faisant glisser vers l'extérieur jusqu'à la butée. Soulever le devant et faire glisser le bac vers l'extérieur pour le retirer complètement.
2. Réinstaller le tiroir en l'insérant complètement au-delà de la butée.



### Couvercle du bac à légumes

#### Retrait et réinstallation du couvercle du bac à légumes :

1. Tirer sur le couvercle en verre tout droit vers l'extérieur.
2. Réinstaller le couvercle en verre en le repoussant à l'intérieur.

## Contrôle de l'humidité (sur certains modèles)

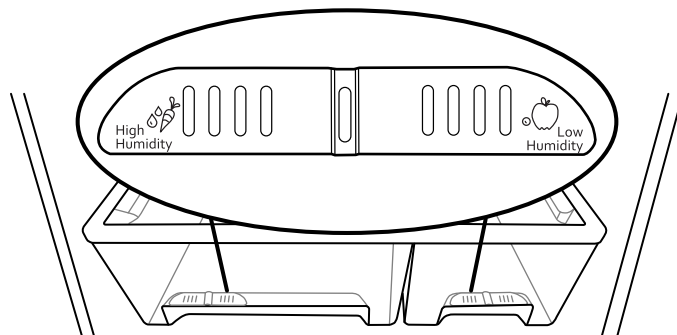
On peut contrôler le degré d'humidité dans le bac à légumes étanche. La commande peut être ajustée à n'importe quel réglage entre LOW (faible) et HIGH (élevée).

En position LOW (ouvert), le réglage laisse échapper l'air humide du bac à légumes pour mieux conserver les fruits et légumes à pelure.

- Fruits : Laver, laisser sécher et garder au réfrigérateur dans un sac en plastique ou dans le bac à légumes. Ne pas laver ni équeuter les baies avant le moment de leur utilisation. Répartir et garder les baies dans leur contenant original dans le bac à légumes ou les conserver sur une tablette du réfrigérateur dans un sac en papier fermé sans être serré.
- Légumes à pelure : Placer dans un sac ou un contenant en plastique et ranger dans le bac à légumes.

En position HIGH (fermé), le réglage permet de retenir l'humidité à l'intérieur du bac pour mieux conserver les légumes à feuilles frais.

- Légumes à feuilles : Laver à l'eau froide, égoutter et couper ou éliminer les sections endommagées et décolorées. Placer dans un sac ou un contenant en plastique et ranger dans le bac à légumes.



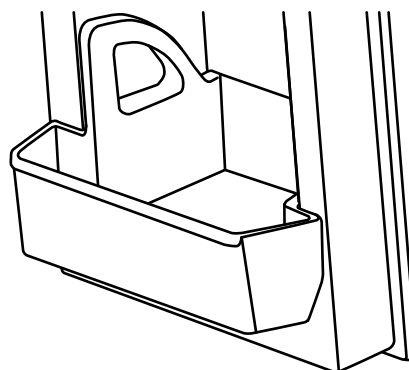
## CARACTÉRISTIQUES DE LA PORTE

**REMARQUE :** Votre modèle peut comporter toutes les caractéristiques suivantes ou seulement certaines d'entre elles.

### Balconnets à condiments

#### Retrait et réinstallation des balconnets à condiments :

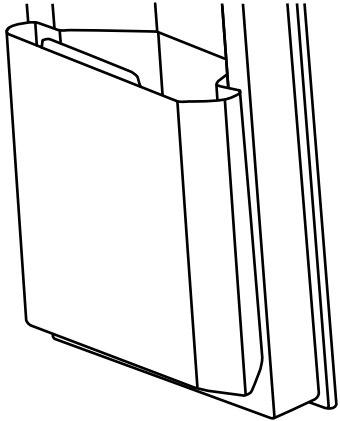
1. Incliner le balconnet, le saisir et le tirer vers l'extérieur.
2. Retirer le balconnet en le saisissant et en le soulevant pour le dégager des glissières.
3. Réinstaller le balconnet en le réinsérant sur les glissières et en le poussant pour le fermer.



## Balconnet fraîcheur (sur certains modèles)

### Pour retirer et réinstaller le balconnet fraîcheur :

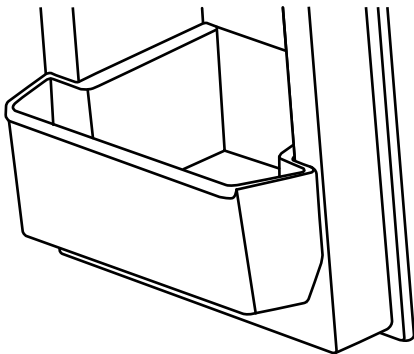
1. Ouvrir le balconnet en saisissant la partie centrale supérieure et en l'inclinant vers l'extérieur.
2. Retirer le balconnet en le saisissant par les deux côtés et en le soulevant pour le dégager des glissières.
3. Réinstaller le balconnet en le réinsérant sur les glissières en position inclinée et en le poussant pour le refermer.



## Balconnet mi-hauteur (sur certains modèles)

### Retrait et réinstallation du balconnet mi-hauteur :

1. Incliner le balconnet, le saisir et le tirer vers l'extérieur.
2. Retirer le balconnet en le saisissant et en le soulevant pour le dégager des glissières.
3. Réinstaller le balconnet en le réinsérant sur les glissières et en le poussant pour le fermer.



# ENTRETIEN DU RÉFRIGÉRATEUR

## Nettoyage

### **AVERTISSEMENT**



#### Risque d'explosion

Utiliser un produit de nettoyage ininflammable.

Le non-respect de cette instruction peut causer un décès, une explosion ou un incendie.

Les compartiments de réfrigération et de congélation se dégivrent automatiquement. Toutefois, nettoyer les deux compartiments environ une fois par mois pour éviter une accumulation d'odeurs. Essuyer les renversements immédiatement.

#### IMPORTANT :

- Comme l'air circule entre les deux compartiments, toutes les odeurs formées dans un compartiment seront transférées à l'autre. Vous devez nettoyer à fond les deux compartiments pour éliminer les odeurs. Pour éviter le transfert d'odeurs et l'assèchement des aliments, envelopper ou recouvrir hermétiquement les aliments.
- Pour les modèles en acier inoxydable, l'acier inoxydable est résistant à la corrosion, et non pas anticorrosion. Pour éviter la corrosion de l'acier inoxydable, garder les surfaces propres à l'aide des instructions de nettoyage suivantes.

## Nettoyage de votre réfrigérateur :

**REMARQUE :** Ne pas utiliser des nettoyants abrasifs ou puissants tels que les nettoyants à vitre en atomiseurs, nettoyants à récurer, liquides inflammables, acide chlorhydrique, cires nettoyantes, détergents concentrés, agents de blanchiment ou nettoyants contenant du pétrole sur les surfaces extérieures (portes et caisse), les pièces en plastique, les garnitures intérieures et portes ou les joints de portes. Ne pas utiliser d'essuie-tout, tampons à récurer ou autres outils de nettoyage abrasifs.

1. Débrancher le réfrigérateur ou déconnecter la source de courant électrique.
2. Laver à la main, rincer et sécher les pièces amovibles et les surfaces internes à fond. Utiliser une éponge propre ou un linge doux et un détergent doux dans de l'eau tiède.
3. Nettoyer les surfaces extérieures.

**Métal peint :** Laver les surfaces extérieures peintes avec une éponge propre ou un linge doux et un détergent doux dans de l'eau tiède. Rincer les surfaces avec de l'eau propre et tiède et sécher immédiatement pour éviter les éventuelles taches laissées par l'eau.

**Acier inoxydable :** Laver les surfaces en acier inoxydable avec une éponge propre ou un linge doux et un détergent doux dans de l'eau tiède. Rincer les surfaces avec de l'eau propre et tiède et sécher immédiatement pour éviter les éventuelles taches laissées par l'eau.

**REMARQUE :** Lors du nettoyage de l'acier inoxydable, essuyer toujours dans le sens du grain pour éviter les éraflures.

4. Le condenseur n'a pas besoin d'être nettoyé souvent dans des conditions de fonctionnement normales. Si l'environnement est particulièrement gras, poussiéreux, ou s'il y a des animaux domestiques dans la maison, le condenseur devrait être nettoyé tous les deux ou trois mois pour assurer une efficacité maximum.

Si vous avez besoin de nettoyer le condenseur :

- Retirer la grille de la base.
  - Utiliser un aspirateur à brosse douce pour nettoyer la grille, les endroits ouverts derrière la grille et la surface à l'avant du condenseur.
  - Replacer la grille de la base lorsqu'on a terminé.
5. Brancher le réfrigérateur ou reconnecter la source de courant électrique.

## Remplacement des ampoules d'éclairage

### IMPORTANT :

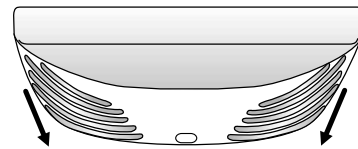
- Toutes les ampoules pour appareils ménagers ne conviendront pas à votre réfrigérateur. S'assurer de faire le remplacement par une ampoule de grosseur, de forme et de puissance semblables.
- Pour garantir une performance optimale du réfrigérateur, remplacer les ampoules dès qu'elles sont usagées.

### Éclairage du compartiment de réfrigération

L'éclairage situé au sommet du compartiment de réfrigération n'a jamais besoin d'être remplacé. Si les lampes ne s'allument pas lorsqu'on ouvre la porte, appeler les numéros fournis pour obtenir de l'aide ou un dépannage. Aux États-Unis, composer le **1-800-253-1301**. Au Canada, composer le **1-800-807-6777**.

### Éclairage du compartiment de congélation (sur certains modèles)

1. Débrancher le réfrigérateur ou déconnecter la source de courant électrique.
2. Retirer le protège-ampoule (sur certains modèles).
  - Sommet du compartiment de congélation - Faire glisser le protège-ampoule vers l'arrière du compartiment pour le libérer de l'ensemble d'éclairage.



3. Remplacer l'ampoule grillée par une ampoule pour appareils électroménagers de 25 watts maximum.
4. Réinstaller le protège-ampoule.
5. Brancher le réfrigérateur ou reconnecter la source de courant électrique.

# DÉPANNAGE

Essayer d'abord les solutions suggérées ici ou visiter notre site Internet et la FAQ (foire aux questions) pour éviter le coût d'une intervention de dépannage.  
Aux É.-U., [www.maytag.com](http://www.maytag.com) Au Canada, [www.maytag.ca](http://www.maytag.ca)

## Fonctionnement

**⚠ AVERTISSEMENT**



**Risque de choc électrique**

Brancher sur une prise à 3 alvéoles reliée à la terre.  
Ne pas enlever la broche de liaison à la terre.  
Ne pas utiliser un adaptateur.  
Ne pas utiliser un câble de rallonge.

Le non-respect de ces instructions peut causer un décès, un incendie ou un choc électrique.

PROBLÈME	CAUSES POSSIBLES	SOLUTIONS
<b>Le réfrigérateur ne fonctionne pas</b>	Inspecter l'alimentation électrique	Brancher le cordon d'alimentation dans une prise à 3 alvéoles reliée à la terre. <hr/> Ne pas utiliser de câble de rallonge. <hr/> S'assurer que la prise est alimentée. Brancher une lampe pour voir si la prise fonctionne. <hr/> Remettre un disjoncteur qui serait ouvert en marche. Remplacer tout fusible grillé. <b>REMARQUE :</b> Si le problème persiste, appeler un électricien.
	Inspecter les commandes	S'assurer que le refroidissement est activé. Voir "Utilisation des commandes".
	Nouvelle installation	Accorder 24 heures après l'installation pour que le réfrigérateur se refroidisse complètement. <b>REMARQUE :</b> Ajuster les commandes de température au réglage le plus froid ne permettra pas aux compartiments de se refroidir plus vite.

PROBLÈME	CAUSES POSSIBLES	SOLUTIONS
<b>Le moteur semble fonctionner excessivement</b>	Compresseur et ventilateurs haute efficacité	Ceci est normal. Les réfrigérateurs plus gros et plus efficaces fonctionnent plus longtemps.
	La température de la pièce ou la température extérieure est élevée	Il est normal que le réfrigérateur fonctionne pendant plus longtemps dans ces conditions. Pour une performance optimale, placer le réfrigérateur dans un environnement d'intérieur à température stable. Voir "Exigences d'emplacement".
	Une grande quantité d'aliments tièdes a été récemment placée dans le réfrigérateur	Lorsque l'on place des aliments tièdes dans le réfrigérateur, l'appareil fonctionne plus longtemps : jusqu'à ce que l'air soit refroidi à la température désirée.
	La/les porte(s) sont ouvertes fréquemment ou pendant trop longtemps	L'air tiède qui entre dans le réfrigérateur prolonge son fonctionnement. Ouvrir la porte moins souvent.
	La porte du réfrigérateur ou le tiroir du congélateur est entrouvert(e)	Vérifier que le réfrigérateur est de niveau. Voir "Fermeture et alignement de la porte". Empêcher les aliments et les récipients d'obstruer la porte.
	La commande du réfrigérateur est placée à un réglage trop froid	Ajuster la commande du réfrigérateur à un réglage moins froid jusqu'à ce que la température du réfrigérateur souhaitée soit atteinte. Voir "Utilisation des commandes".
	Le joint de la porte ou du tiroir est sale, usagé ou craquelé	Nettoyer ou remplacer le joint d'étanchéité. Si le joint de la porte présente des fuites, le réfrigérateur fonctionnera plus longtemps pour maintenir la température souhaitée.
<b>Les ampoules ne fonctionnent pas</b>	Une ampoule est desserrée dans la douille ou grillée	Resserrer ou remplacer l'ampoule. Voir "Remplacement des ampoules d'éclairage".

## Bruit

PROBLÈME	CAUSES POSSIBLES	SOLUTIONS
<b>Le réfrigérateur semble bruyant</b> Voici une liste de sons normaux, accompagnée d'explications.	Le compresseur de votre nouveau réfrigérateur régule la température plus efficacement tout en utilisant moins d'énergie; il fonctionne aussi silencieusement. Les bruits de fonctionnement étant moins importants, vous remarquerez peut-être davantage des bruits aléatoires.	
Bruit du compresseur qui fonctionne plus longtemps que prévu	Compresseur et ventilateurs haute efficacité	Ceci est normal. Les réfrigérateurs plus gros et plus efficaces fonctionnent plus longtemps.
Pulsation/Bruissement	Les ventilateurs/le compresseur s'ajustent pour optimiser la performance durant le fonctionnement normal du compresseur	Ceci est normal.
Éclatement	Contraction/expansion des parois internes, surtout lors du refroidissement-initial	Ceci est normal.
Sifflement/Égouttement	Écoulement de liquide réfrigérant ou d'huile dans le compresseur	Ceci est normal.
Vibration	Le réfrigérateur n'est peut-être pas stable	Ajuster les vis de nivellement et abaisser le pied de nivellement de façon à ce qu'il soit bien en contact avec le plancher. Voir "Fermeture et alignement de la porte".
Entrechoquement/martèlement	Mouvement des conduites d'eau contre la caisse du réfrigérateur ou d'objets posés sur le dessus de la caisse du réfrigérateur	Éloigner l'excédent de canalisation d'eau de la caisse du réfrigérateur ou la fixer dessus. Voir "Raccordement de l'eau" ou retirer les objets du sommet du réfrigérateur.
Grésillement	De l'eau goutte sur l'élément de chauffage durant le programme de dégivrage	Ceci est normal.

PROBLÈME	CAUSES POSSIBLES	SOLUTIONS
Écoulement d'eau/ gargouillement	Peut se produire lorsque la glace fond lors du programme de dégivrage et que l'eau s'écoule dans le plateau de dégivrage	Ceci est normal.
Bourdonnement	Peut se produire lorsque le robinet d'eau s'ouvre pour remplir la machine à glaçons	Ceci est normal.
Craquement	Peut se produire lorsque la glace est éjectée du moule à glaçons	Ceci est normal.
Patatras	Peut se produire lorsque les glaçons tombent dans le bac d'entreposage	Ceci est normal.

## Température et humidité

PROBLÈME	CAUSES POSSIBLES	SOLUTIONS
<b>La température est trop élevée</b>	Le réfrigérateur vient d'être installé	Accorder 24 heures après l'installation pour que le réfrigérateur se refroidisse complètement.
	Le refroidissement est désactivé	Activer le refroidissement. Voir "Utilisation des commandes".
	Le réglage des commandes n'est pas adapté à l'environnement de l'appareil	Régler les commandes à un cran plus froid. Vérifier la température au bout de 24 heures. Voir "Utilisation de la/ des commande(s)".
	La/les porte(s) sont ouvertes fréquemment ou ne sont pas complètement fermées	Ceci permet à l'air chaud de pénétrer dans le réfrigérateur. Minimiser les ouvertures de porte et garder les portes complètement fermées.
	Une grande quantité d'aliments a été récemment ajoutée	Attendre quelques heures pour permettre au réfrigérateur de revenir à une température normale.
<b>La température est trop basse dans le réfrigérateur/ bac à légumes</b>	L'ouverture/les ouvertures d'évacuation du réfrigérateur est/sont bloquée(s)	Si l'ouverture d'évacuation située à l'angle arrière supérieur gauche du compartiment de réfrigération est obstruée par des articles placés directement devant, le réfrigérateur sera trop froid. Éloigner les objets de l'ouverture d'évacuation.
	Le réglage des commandes n'est pas adapté à l'environnement de l'appareil	Régler les commandes à un réglage plus chaud. Vérifier la température au bout de 24 heures. Voir "Utilisation de la/ des commande(s)".
	Le bac d'entreposage à glaçons est mal installé (sur certains modèles)	S'assurer que le bac d'entreposage à glaçons est positionné de telle manière qu'il n'entrave pas la circulation de l'air.
<b>La température des garde-manger est trop froide (sur certains modèles)</b>	Le réglage des commandes n'est pas adapté aux articles entreposés dans le tiroir	Ajuster le réglage de la commande. Voir "Caractéristiques du réfrigérateur".
<b>Il y a accumulation d'humidité à l'intérieur</b> <b>REMARQUE :</b> Une certaine accumulation d'humidité est normale.	La pièce est humide	Un environnement humide contribue à l'accumulation d'humidité.
	La/les porte(s) sont ouvertes fréquemment ou ne sont pas complètement fermées	Cela permet à l'air humide de pénétrer dans le réfrigérateur. Minimiser les ouvertures de porte et garder les portes complètement fermées.
	La porte est bloquée en position ouverte	Déplacer les emballages d'aliments pour libérer la porte.
	Un compartiment ou une tablette bloque le passage	Replacer le compartiment ou la tablette en position correcte.
	Entreposage de liquides dans des récipients ouverts	Cela ajoute de l'humidité à l'intérieur du réfrigérateur. Bien fermer tous les récipients.
<b>Du givre/de la glace s'est accumulé(e) dans le compartiment de congélation</b>	Les portes sont fréquemment ouvertes ou sont laissées ouvertes	Minimiser les ouvertures de porte et garder les portes complètement fermées.
	Joint de la porte en mauvais état	S'assurer que les joints de porte sont en parfait contact avec la caisse du réfrigérateur pour que l'étanchéité soit assurée.
	Les commandes de température ne sont pas correctement réglées	Voir "Utilisation des commandes" pour connaître les réglages de température recommandés.

## Glaçons et eau

PROBLÈME	CAUSES POSSIBLES	SOLUTIONS
<b>La machine à glaçons ne produit pas ou produit trop peu de glaçons (sur certains modèles)</b>	Le réfrigérateur n'est pas raccordé à l'alimentation en eau ou le robinet d'arrêt d'eau n'est pas ouvert	Brancher le réfrigérateur à l'alimentation en eau et ouvrir le robinet d'arrêt d'eau complètement.
	La canalisation de la source d'eau du domicile comporte une déformation	Une déformation dans la canalisation peut réduire l'écoulement d'eau. Redresser la canalisation d'eau.
	La machine à glaçons n'est pas allumée	S'assurer que la machine à glaçons est en marche.
	Le réfrigérateur vient d'être installé	Attendre 24 heures après l'installation de la machine à glaçons pour que la production de glaçons commence. Attendre 3 jours pour que la production de glaçons soit complète.
	La porte du réfrigérateur n'est pas complètement fermée	Bien fermer la porte. Si elle ne ferme pas complètement, voir "Les portes ne ferment pas complètement".
	Une grande quantité de glaçons a été récemment prélevée	Attendre 24 heures pour que la machine à glaçons produise plus de glaçons.
	Un glaçon est coincé dans le bras éjecteur de la machine à glaçons	Enlever le glaçon du bras éjecteur avec un ustensile en plastique. <b>REMARQUE :</b> Sur certains modèles, appuyer sur le levier ouvrant la porte de la machine à glaçons pour accéder au bras éjecteur.
Un système de filtration de l'eau par osmose inverse est connecté à votre alimentation en eau froide	Ceci peut réduire la pression de l'eau. Voir "Spécifications de l'alimentation en eau".	
<b>Les glaçons sont creux ou petits (sur certains modèles)</b> <b>REMARQUE :</b> Cela indique une faible pression de l'eau.	Le robinet d'arrêt de la canalisation d'eau n'est pas complètement ouvert	Ouvrir le robinet d'arrêt complètement.
	La canalisation de la source d'eau du domicile comporte une déformation	Une déformation dans la canalisation peut réduire l'écoulement d'eau. Redresser la canalisation d'eau.
	Un système de filtration de l'eau par osmose inverse est connecté à votre alimentation en eau froide	Ceci peut réduire la pression de l'eau. Voir "Spécifications de l'alimentation en eau".
	D'autres questions concernant la pression de l'eau	Appeler un plombier agréé et qualifié.
<b>Mauvais goût, mauvaise odeur ou couleur grise des glaçons ou de l'eau (sur certains modèles)</b>	Raccords de plomberie récemment installés ou remplacés. Des raccords de plomberie neufs peuvent entraîner une décoloration ou un mauvais goût des glaçons et de l'eau	Jeter les glaçons et laver le bac d'entreposage à glaçons. Accorder 24 heures à la machine à glaçons pour produire des nouveaux glaçons et jeter les 3 premiers lots de glaçons produits.
	Les glaçons ont été conservés pendant trop longtemps	Jeter les glaçons. Laver le bac d'entreposage à glaçons. Accorder 24 heures pour la fabrication de nouveaux glaçons.
	Les glaçons ont pris l'odeur des aliments	Utiliser des emballages hermétiques et à l'épreuve de l'humidité pour conserver les aliments.
	L'eau contient des minéraux (tels que le soufre)	L'installation d'un filtre à eau peut être requise afin d'enlever les minéraux.
<b>De l'eau fuit par l'arrière du réfrigérateur</b>	Les raccords de la canalisation d'eau n'ont pas été complètement serrés	Voir "Raccordement de l'eau".
	Les portes ont été récemment retirées et le raccord de la canalisation en eau n'a pas été complètement serré	Voir "Retrait et réinstallation des portes du réfrigérateur et de l'avant du tiroir".

## Portes

**⚠️ AVERTISSEMENT**



**Risque d'explosion**

**Utiliser un produit de nettoyage ininflammable.**

**Le non-respect de cette instruction peut causer un décès, une explosion ou un incendie.**

PROBLÈME	CAUSES POSSIBLES	SOLUTIONS
<b>La/les porte(s) ou le tiroir ne se ferme(nt) pas complètement</b>	La porte ou le tiroir est bloqué(e) en position ouverte	Déplacer les aliments sous emballage pour libérer la/les porte(s). Retirer les glaçons ou autres articles qui seraient tombés sur le fond du compartiment de congélation.
	Un compartiment ou une tablette bloque le passage	Replacer le balconnet ou la tablette en position correcte.
	Récemment installé	Enlever tous les matériaux d'emballage.
<b>Les portes sont difficiles à ouvrir</b>	Les joints de la porte sont collants ou sales.	Nettoyer les joints et les surfaces de contact au savon doux et à l'eau tiède. Rincer et sécher avec un linge doux.
<b>Les portes semblent mal alignées</b>	Les portes doivent être alignées ou l'aplomb du réfrigérateur effectué	Voir "Fermeture et alignement de la porte".
<b>Les portes ne s'ouvrent et se ferment pas comme prévu</b>	L'inclinaison du réfrigérateur doit être ajustée.	Ajuster l'inclinaison du réfrigérateur. Voir "Fermeture et alignement de la porte".



---

# GARANTIE LIMITÉE DES APPAREILS DE RÉFRIGÉRATION MAYTAG®

---

## GARANTIE LIMITÉE DURANT LA PREMIÈRE ANNÉE (PIÈCES ET MAIN-D'ŒUVRE)

Pendant un an à compter de la date d'achat, lorsque ce gros appareil ménager est installé, utilisé et entretenu conformément aux instructions jointes au produit ou fournies avec, la marque Maytag de Whirlpool Corporation ou Whirlpool Canada, LP (ci-après désignées "Maytag") paiera pour les pièces de rechange spécifiées par l'usine et pour la main-d'œuvre pour corriger les vices de matériaux ou de fabrication qui existaient déjà lorsque ce gros appareil ménager a été acheté.

## GARANTIE LIMITÉE DE LA DEUXIÈME À LA DIXIÈME ANNÉE (COMPRESSEUR UNIQUEMENT - MAIN-D'ŒUVRE NON COMPRISE)

De la deuxième à la dixième année inclusivement à compter de la date d'achat initiale, lorsque ce gros appareil ménager est installé, utilisé et entretenu conformément aux instructions jointes au produit ou fournies avec, Maytag paiera pour un compresseur de rechange spécifié par l'usine pour corriger les défauts non esthétiques de matériau ou de fabrication de ladite pièce qui empêchent le réfrigérateur de fonctionner et qui étaient déjà présents lorsque ce gros appareil ménager a été acheté. Cette garantie limitée de 10 ans s'applique uniquement au compresseur et ne comprend pas la main-d'œuvre.

LE SEUL ET EXCLUSIF RECOURS DU CLIENT DANS LE CADRE DE LA PRÉSENTE GARANTIE LIMITÉE CONSISTE EN LA RÉPARATION PRÉVUE PAR LA PRÉSENTE. Le service doit être fourni par une compagnie de service désignée par Maytag. Cette garantie limitée est valide uniquement aux États-Unis ou au Canada et s'applique exclusivement lorsque le gros appareil ménager est utilisé dans le pays où il a été acheté. La présente garantie limitée est valable à compter de la date d'achat initial par le consommateur. Une preuve de la date d'achat d'origine est exigée pour obtenir un service dans le cadre de la présente garantie limitée.

---

## ÉLÉMENTS EXCLUS DE LA GARANTIE

La présente garantie limitée ne couvre pas :

1. Les pièces de rechange ou la main-d'œuvre lorsque ce gros appareil ménager est utilisé à des fins autres que l'usage domestique unifamilial normal ou lorsque les instructions d'installation et/ou les instructions de l'opérateur ou de l'utilisateur fournies ne sont pas respectées.
  2. Les visites de service pour rectifier l'installation du gros appareil ménager, montrer à l'utilisateur comment utiliser le gros appareil ménager, remplacer ou réparer des fusibles du domicile ou rectifier le câblage ou la plomberie du domicile.
  3. Les visites de service pour réparer ou remplacer les ampoules électriques, les filtres à air ou les filtres à eau de l'appareil. Les pièces consommables ne sont pas couvertes par la garantie.
  4. Les dommages imputables à : accident, modification, usage impropre ou abusif, incendie, inondation, actes de Dieu, installation fautive ou installation non conforme aux codes d'électricité ou de plomberie, ou l'utilisation de produits non approuvés par Maytag.
  5. Les défauts d'apparence, notamment les éraflures, traces de choc, fissures ou tout autre dommage subi par le fini du gros appareil ménager, à moins que ces dommages ne résultent de vices de matériaux ou de fabrication et ne soient signalés à Maytag dans les 30 jours suivant la date d'achat.
  6. Toute perte d'aliments ou de médicaments due à une défaillance du réfrigérateur ou du congélateur.
  7. Le ramassage et la livraison. Ce gros appareil ménager est conçu pour être réparé à domicile.
  8. Les réparations aux pièces ou systèmes résultant d'une modification non autorisée faite à l'appareil.
  9. Les frais de déplacement et de transport pour le service du produit si votre gros appareil ménager est situé dans une région éloignée où un fournisseur de services d'entretien ou de réparation Maytag autorisé n'est pas disponible.
  10. L'enlèvement et la réinstallation du gros appareil ménager si celui-ci est installé dans un endroit inaccessible ou n'est pas installé conformément aux instructions d'installation fournies par Maytag.
  11. Les pièces de rechange ou la main-d'œuvre pour les gros appareils ménagers dont les numéros de modèle/de série ont été enlevés, modifiés ou ne peuvent pas être facilement identifiés.
  12. La décoloration ou l'oxydation des surfaces en acier inoxydable ou encore l'apparition de rouille sur ces surfaces.
- 

## CLAUSE D'EXONÉRATION DE RESPONSABILITÉ AU TITRE DES GARANTIES IMPLICITES

LES GARANTIES IMPLICITES, Y COMPRIS LES GARANTIES APPLICABLES DE QUALITÉ MARCHANDE OU D'APTITUDE À UN USAGE PARTICULIER, SONT LIMITÉES À UN AN OU À LA PLUS COURTE PÉRIODE AUTORISÉE PAR LA LOI. Certains États et provinces ne permettent pas de limitation sur la durée d'une garantie implicite de qualité marchande ou d'aptitude à un usage particulier, de sorte que la limitation ci-dessus peut ne pas être applicable dans votre cas. Cette garantie vous confère des droits juridiques spécifiques, et vous pouvez également jouir d'autres droits qui peuvent varier d'une juridiction à l'autre.

---

## LIMITATION DES RECOURS; EXCLUSION DES DOMMAGES FORTUITS OU INDIRECTS

LE SEUL ET EXCLUSIF RECOURS DU CLIENT DANS LE CADRE DE LA PRÉSENTE GARANTIE LIMITÉE CONSISTE EN LA RÉPARATION PRÉVUE CI-DESSUS. MAYTAG N'ASSUME AUCUNE RESPONSABILITÉ POUR LES DOMMAGES FORTUITS OU INDIRECTS. Certains États et certaines provinces ne permettent pas l'exclusion ou la limitation des dommages fortuits ou indirects, de sorte que ces limitations et exclusions peuvent ne pas être applicables dans votre cas. Cette garantie vous confère des droits juridiques spécifiques, et vous pouvez également jouir d'autres droits qui peuvent varier d'une juridiction à l'autre.

---

Si vous résidez à l'extérieur des 50 États des États-Unis et du Canada, contactez votre marchand Maytag autorisé pour déterminer si une autre garantie s'applique.

---

Pour des informations supplémentaires sur le produit, aux É.-U., visiter [www.maytag.com](http://www.maytag.com).  
Au Canada, visiter [www.maytag.ca](http://www.maytag.ca).

Si vous n'avez pas accès à Internet et que vous nécessitez une assistance pendant l'utilisation du produit ou que vous souhaitez prendre un rendez-vous, vous pouvez contacter Maytag au numéro ci-dessous.

*Ayez votre numéro de modèle à disposition. Vous pouvez trouver vos numéros de modèle et de série sur la plaque située sur la paroi interne du compartiment de réfrigération.*

Pour assistance ou service aux É.-U., composez le 1-800-688-9900. Au Canada, composez le 1-800-807-6777.

Si vous avez besoin de plus d'assistance, vous pouvez écrire à Maytag en soumettant toute question ou problème à l'adresse suivante :

Aux États-Unis :

Maytag Brand Home Appliances  
Customer eXperience Center  
553 Benson Road  
Benton Harbor, MI 49022-2692

Au Canada :

Maytag Brand Home Appliances  
Centre d'eXpérience à la clientèle  
200 – 6750 Century Ave.  
Mississauga, Ontario L5N 0B7

Dans votre correspondance, veuillez indiquer un numéro de téléphone où l'on peut vous joindre dans la journée.

Veuillez conserver toutes les instructions fournies ainsi que le numéro de modèle pour référence ultérieure.

